

RICHMOND

Class 1 High-Profile LED Beacon



The Richmond Class 1 LED beacon produces a superior warning signal that promotes safety in all work environments. Ideal for snowplows, construction equipment, utility vehicles, and work trucks, this beacon has you covered with a compact, high-profile design that is super bright, durable, and simple to install. Multiple options are available for both LED and lens color. The magnetic mount includes a cigarette lighter adapter that allows you to toggle through all 11 flash patterns quickly and easily, providing you with great flexibility on the job. Also available in a permanent mount option.

FEATURES-TBD

- 4 beacons in the series
- Small footprint
- Rugged polycarbonate construction
- Lens with UV inhibitors
- 360 degree illumination provides outstanding visibility from all angles
- SAE Class 1 certified



FLASH PATTERNS

1. Single*
2. Rapid Rotating
3. Triple
4. Quad
5. Quint
6. Single + Double
7. Rotating
8. Single + Quad
9. Double + Triple
10. Strobming
11. Burn

OPTIONS

LENS	LED	MOUNT	CONNECTOR
AMBER	AMBER	SCREW	CABLE
CLEAR	AMBER	SCREW	CABLE
AMBER	AMBER	MAGNET	CIGARETTE LIGHTER
CLEAR	AMBER	MAGNET	CIGARETTE LIGHTER

SPECIFICATIONS

INPUT VOLTAGE RANGE

10-30 VDC

CURRENT DRAW

0.877A/2.16A (min/max)

LED COUNT

64

FLASH PATTERNS

11

OPERATING TEMPERATURE

-40° C to +65° C

DIMENSIONS

Height – 3.5"

Diameter – 4.8"

MOUNTING

Permanent (Screw)

Magnet

CERTIFICATIONS

SAE J845 CLASS 1 BEACON

FMVSS/CMVSS 108

IP Code IP67

WARRANTY

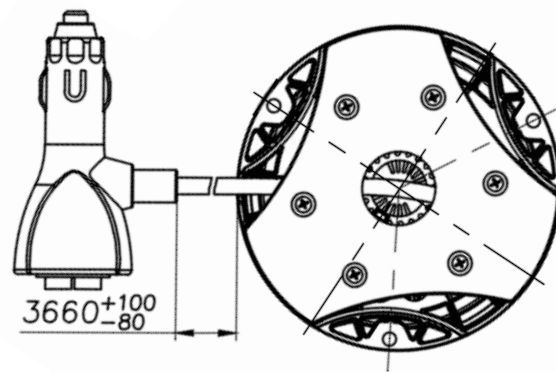
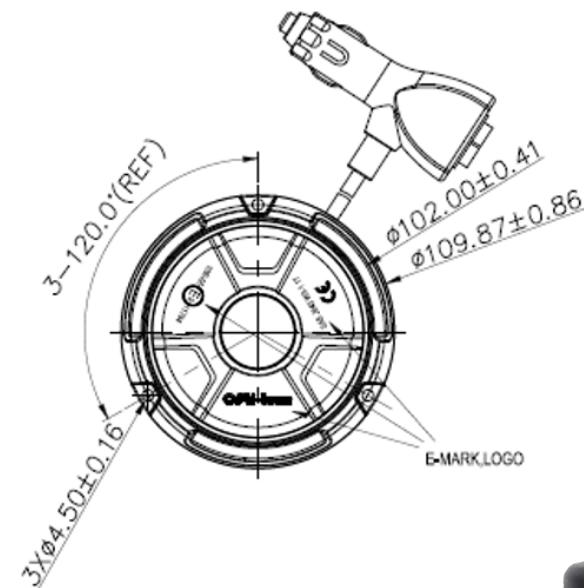
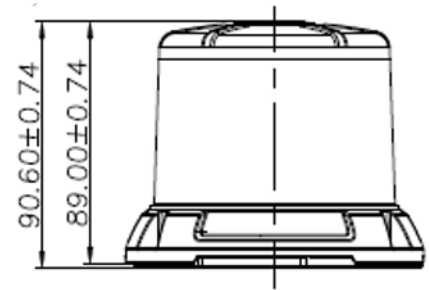
3 YEAR

* SAE J845 Class 1 Compliant

RICHMOND BEACON INSTALLATION AND MODEL SELECTION

Measurements shown in millimeters.

PART NUMBER	MOUNT	LENS / LED	CONNECTOR
100BC0011	SCREW	● ● AMBER / AMBER	CABLE
100BC0012	SCREW	○ ● CLEAR / AMBER	CABLE
100BC0013	MAGNET	● ● AMBER / AMBER	CIGARETTE LIGHTER
100BC0014	MAGNET	○ ● CLEAR / AMBER	CIGARETTE LIGHTER



LEARN MORE

To learn more about the Richmond Series LED Beacon, please visit our website at www.opti-luxx.com or call (616) 379-4142. Also, see our lighting products in action by following our YouTube channel.



Follow us on YouTube to see more Opti-Luxx products in action, including available flash patterns!



www.opti-luxx.com
(616) 379-4142