

# POCONO

## Class 1 LED Light Bar



The Pocono Class 1 LED Light Bar is a compact-designed, low-profile light bar that produces a powerful amber warning signal. Measuring just 1.3" thick, our thinnest light bar series comes available in lengths from 19" to 49". Great for multiple applications, including tow trucks; construction, municipal, and service vehicles; and work trucks. Comes equipped with 10 flash patterns that will get you noticed and keep you safe. Includes bracket mounting hardware for an easy-to-install, permanent mount to your vehicle. When you are looking for a big light bar without the bulk, the Pocono is the perfect solution for you.

### FEATURES

- 5 light bars in the series
- 5 different lengths
- Rugged polycarbonate construction
- Lens with UV inhibitors
- 360 degree illumination provides outstanding visibility from all angles
- SAE Class 1 certified



### FLASH PATTERNS

1. Single Flash - Bright\*
2. Single Flash
3. Rapid Flash
4. Directional
5. Triple
6. Single + Double + Triple
7. Single + Quint
8. Directional + Triple
9. Alternating
10. Rapid Alternating

### SPECIFICATIONS

**INPUT VOLTAGE RANGE**  
10-30 VDC

**CURRENT DRAW**  
2.4/3.9A (min/max)

**LED COUNT**  
Varies depending on size

**FLASH PATTERNS**  
10

**OPERATING TEMPERATURE**  
-40 C to +65 C

**DIMENSIONS**  
Length – 19"-49"  
Width – 7.86"

**MOUNTING**  
Screw

**CERTIFICATIONS**  
SAE J845/2139 CLASS 1  
FMVSS/CMVSS 108

**WARRANTY**  
3 YEAR

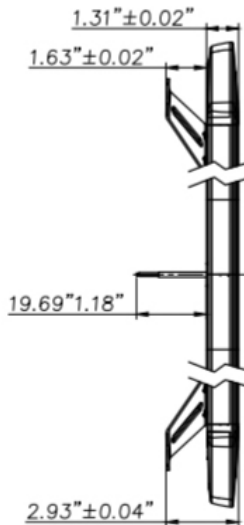
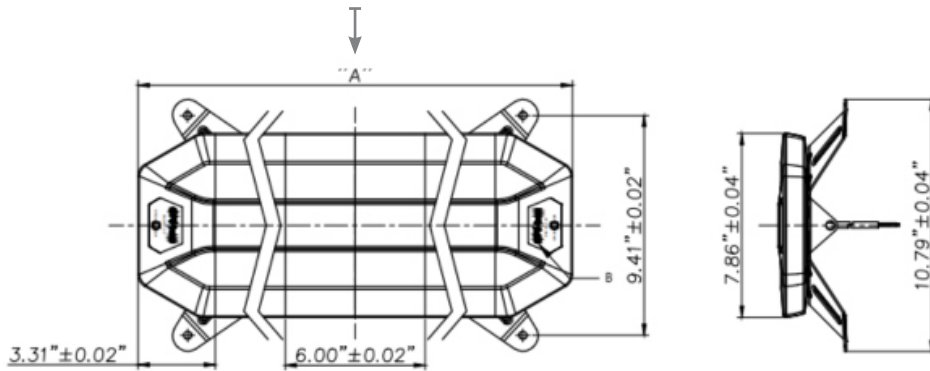
### OPTIONS

LENS	LED	MOUNT	CONNECTOR
CLEAR	AMBER	BRACKET	CABLE

\* SAE J845 Class 1 Compliant

**POCONO CLASS 1 LIGHT BAR INSTALLATION AND MODEL SELECTION**

PART NUMBER	SIZE "A"	MOUNT	LENS / LED	CONNECTOR
100LB0018	19"	BRACKET	CLEAR / AMBER	CABLE
100LB0019	25"	BRACKET	CLEAR / AMBER	CABLE
100LB0020	31"	BRACKET	CLEAR / AMBER	CABLE
100LB0021	37"	BRACKET	CLEAR / AMBER	CABLE
100LB0022	49"	BRACKET	CLEAR / AMBER	CABLE



**LEARN MORE**

To learn more about the Pocono Class 1 LED Light Bar, please visit our website at [www.opti-luxx.com](http://www.opti-luxx.com) or call (616) 379-4142. Also, see our lighting products in action by following our YouTube channel.



*Follow us on YouTube to see more Opti-Luxx products in action, including available flash patterns!*



[www.opti-luxx.com](http://www.opti-luxx.com)  
(616) 379-4142