

HOMESTEAD

Class 1 LED Light Bar



The Homestead Class 1 LED Light Bar is a compact-designed, low-profile light bar that produces a powerful amber warning signal. The Homestead is our longest light bar series that includes a 53" option, but is also available in 21", 28", 34", 40" and 47" and lengths. Great for multiple applications, including tow trucks, construction, municipal, service vehicles, and work trucks. Comes equipped with 10 flash patterns that will get you noticed and keep you safe. Includes bracket mounting hardware for an easy-to-install, permanent mount to your vehicle. When you are looking for a long light bar without the bulk, the Homestead is the perfect solution for you.

FEATURES

- 6 light bars in the series
- Low profile, linear design
- Rugged Polycarbonate construction
- Lens with UV inhibitors
- 360 degree illumination provides outstanding visibility from all angles
- SAE Class 1 certified



FLASH PATTERNS

1. Single Flash*
2. Directional + Alternating + Flash
3. Single + Quint
4. Single + Triple + Quint
5. Alternating + Rapid Alternating + Flash
6. Alternating + Double Flash
7. Triple
8. Alternating + Triple Flash
9. Alternating
10. Directional

SPECIFICATIONS

INPUT VOLTAGE RANGE

9-16 VDC

CURRENT DRAW

2.5/6.5A (min/max)

LED COUNT

Varies depending on size

FLASH PATTERNS

10

OPERATING TEMPERATURE

-40° C to +65° C

DIMENSIONS

Length – varies

Width – varies

MOUNTING

Permanent (Screw)

CERTIFICATIONS

FMVSS/CMVSS 108



SAE STANDARDS J845/2139

CLASS 1

WARRANTY

3 YEAR

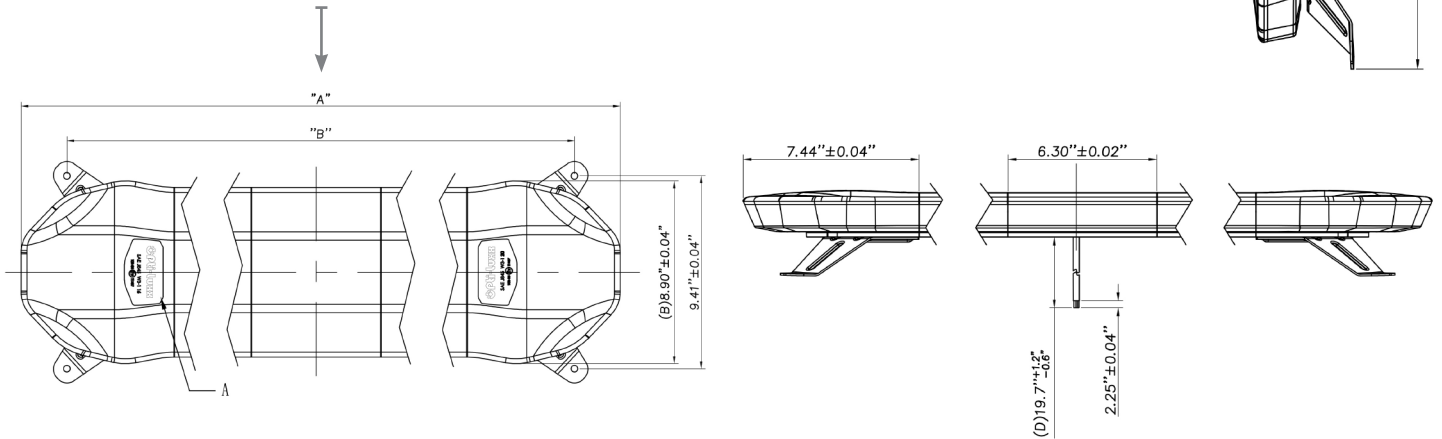
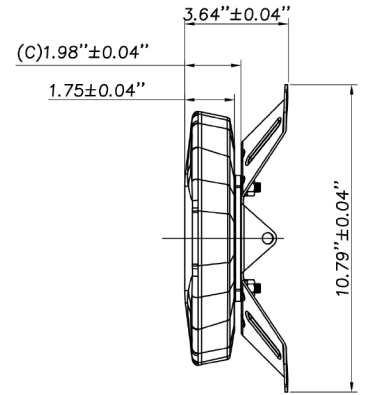
OPTIONS

LENS	LED	MOUNT	CONNECTOR
 CLEAR	 AMBER	BRACKET	CABLE

* SAE J845 Class 1 Compliant

HOMESTEAD LED LIGHT BAR INSTALLATION AND MODEL SELECTION

PART NUMBER	SIZE "A"	MOUNT	LENS / LED	CONNECTOR
100LB0008	21"	BRACKET	CLEAR / AMBER	CABLE
100LB0009	28"	BRACKET	CLEAR / AMBER	CABLE
100LB0010	34"	BRACKET	CLEAR / AMBER	CABLE
100LB0011	40"	BRACKET	CLEAR / AMBER	CABLE </td
100LB0012	47"	BRACKET	CLEAR / AMBER	CABLE
100LB0037	53"	BRACKET	CLEAR / AMBER	CABLE



LEARN MORE

To learn more about the Homestead Class 1 LED Light Bar, please visit our website at www.opti-luxx.com or call (616) 379-4142. Also, see our lighting products in action by following our YouTube channel.



Follow us on YouTube to see more Opti-Luxx products in action, including available flash patterns!



www.opti-luxx.com
(616) 379-4142