

CHARLOTTE

Class 1 LED High Profile Beacon



The Charlotte Class 1 LED beacon produces a superior warning signal that promotes safety in all work environments. A perfect solution for all commercial vehicles that are looking for a traditional strobe style beacon with the latest LED technology. This high-profile model in the series is available in both amber and white and comes standard with an adhered base gasket that assures a water-tight seal to your vehicle. A center drop wire and a traditional 3-hole screw mount make installation quick and easy. Each Charlotte beacon has four flash patterns to choose from.

FEATURES

- 2 beacons in the series
- Plug & play compatible with existing 3-hole beacon mounting patterns
- Center drop wire for ease of installation
- Best-in-class optics provides light output that meets SAE J845 Class 1 requirements
- 360 degree illumination provides outstanding visibility from all angles
- Adhered base gasket assures water-tight seal to the vehicle without the use of sealants



FLASH PATTERNS

1. Double*
2. Triple*
3. Quad*
4. Rotating

SPECIFICATIONS

INPUT VOLTAGE RANGE
10-30 VDC

CURRENT DRAW
1.02/1.4A (min/max)

LED COUNT
36

FLASH PATTERNS
4

OPERATING TEMPERATURE
-40° C to +65° C





DIMENSIONS
Height – 4.88"
Diameter – 6.7"

MOUNTING
Permanent (screw)
Adhered EVA gasket

CERTIFICATIONS
SAE J845/J2139 CLASS 1
FMVSS/CMVSS 108
IP Code IP67

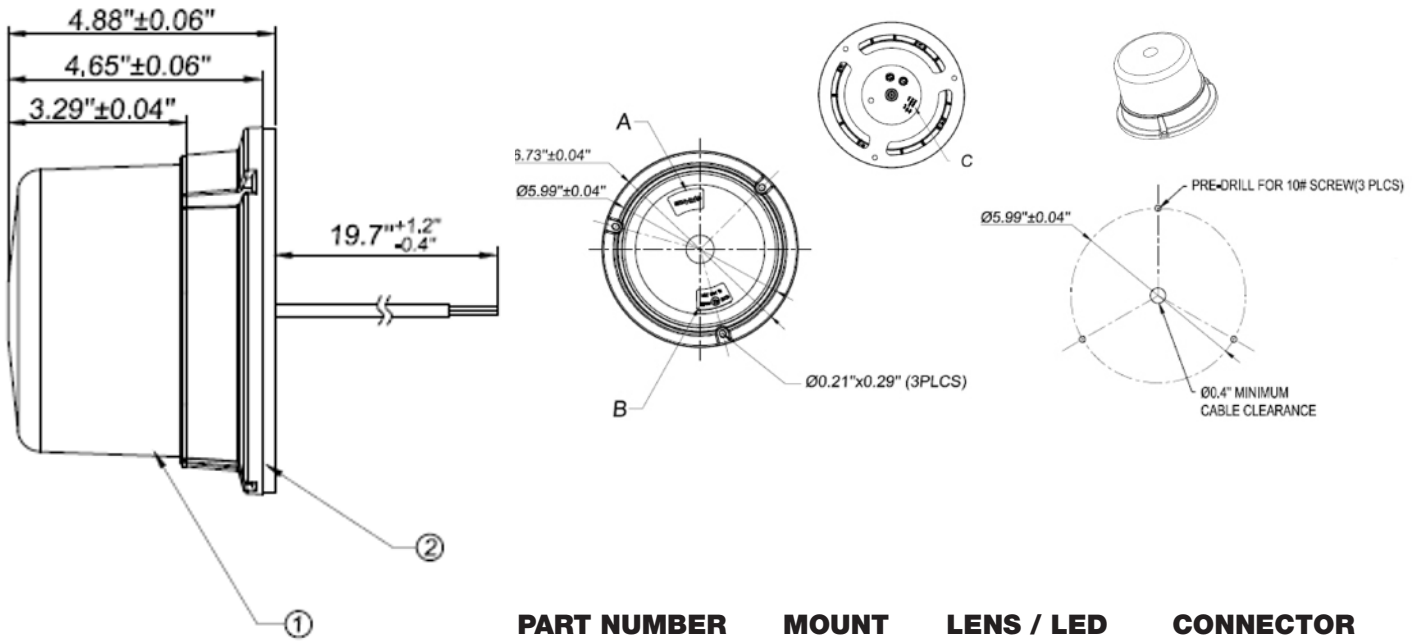
WARRANTY
5 YEAR

OPTIONS

LENS	LED	MOUNT	CONNECTOR
 AMBER	 AMBER	SCREW	CABLE
 CLEAR	 WHITE	SCREW	CABLE

* SAE J845 Class 1 Compliant

CHARLOTTE HIGH PROFILE BEACON INSTALLATION AND MODEL SELECTION



PART NUMBER	MOUNT	LENS / LED	CONNECTOR
100BC002	SCREW	● ● AMBER / AMBER	CABLE
100BC001	SCREW	○ ○ CLEAR / WHITE	CABLE



LEARN MORE

To learn more about the Charlotte Series LED Beacon, please visit our website at www.opti-luxx.com or call (616) 379-4142. Also, see our lighting products in action by following our YouTube channel.



Follow us on YouTube to see more Opti-Luxx products in action, including available flash patterns!



www.opti-luxx.com
(616) 379-4142