

# 4000 Series\*

## Class 1 LED Low Profile Beacon



\*Formerly "Charlotte" Series

The 4000 Series Class 1 LED beacon produces a superior warning signal that promotes safety in all work environments. A perfect solution for all commercial vehicles that are looking for a traditional strobe style beacon with the latest LED technology. This low-profile model in the series is available in both amber and white and comes standard with an adhered base gasket that assures a water-tight seal to your vehicle. A center drop wire and a traditional 3-hole screw mount make installation quick and easy. Each Charlotte beacon has four flash patterns to choose from.

### FEATURES

- 2 beacons in the series
- Plug & play compatible with existing 3-hole beacon mounting patterns
- Center drop wire for ease of installation
- Best-in-class optics provides light output that meets SAE J845 Class 1 requirements
- 360 degree illumination provides outstanding visibility from all angles
- Adhered base gasket assures water-tight seal to the vehicle without the use of sealants



### FLASH PATTERNS

1. Double\*
2. Triple\*
3. Quad\*
4. Rotating

### SPECIFICATIONS

**INPUT VOLTAGE RANGE**  
10-30 VDC

**CURRENT DRAW**  
1.35/1.85A (min/max)

**LED COUNT**  
12

**FLASH PATTERNS**  
4

**OPERATING TEMPERATURE**  
-40° C to +65° C





**DIMENSIONS**  
Height – 3.19"  
Diameter – 6.7"

**MOUNTING**  
Permanent (screw)  
Adhered EVA gasket

**CERTIFICATIONS**  
SAE J845/J2139 CLASS 1  
FMVSS/CMVSS 108  
IP Code IP67

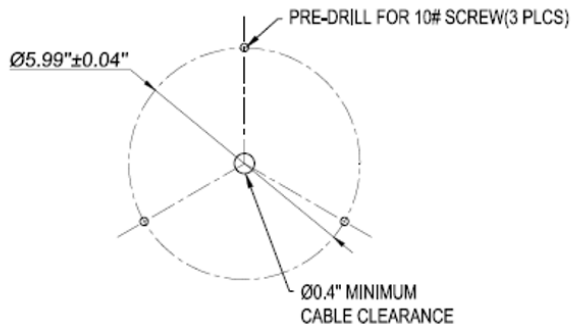
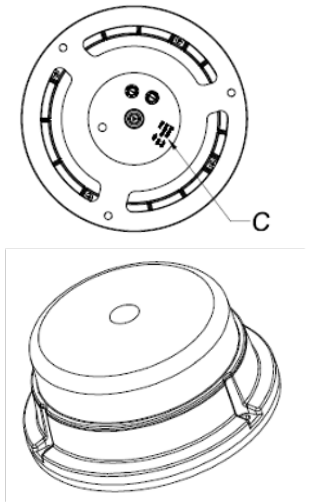
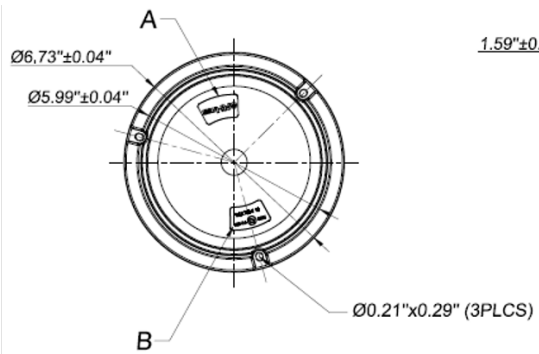
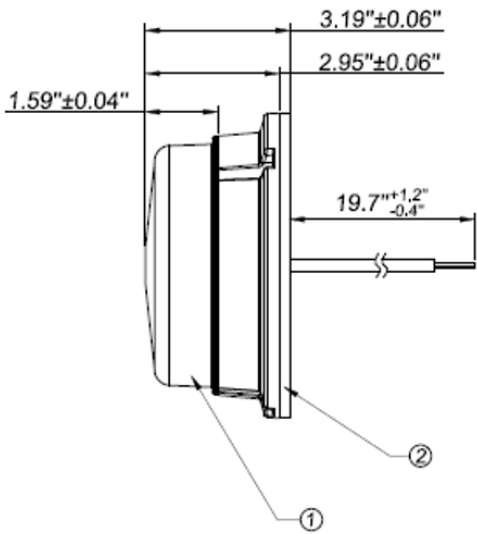
**WARRANTY**  
5 YEAR

### OPTIONS

LENS	LED	MOUNT	CONNECTOR
 AMBER	 AMBER	SCREW	CABLE
 CLEAR	 WHITE	SCREW	CABLE

\* SAE J845 Class 1 Compliant

4000 SERIES LOW PROFILE BEACON INSTALLATION AND MODEL SELECTION



PART NUMBER	MOUNT	LENS / LED	CONNECTOR
100BC0004	SCREW	● AMBER / AMBER	CABLE
100BC0003	SCREW	○ CLEAR / WHITE	CABLE

LEARN MORE

To learn more about the 4000 Series LED Beacon, please visit our website at [www.opti-luxx.com](http://www.opti-luxx.com) or call (616) 379-4142. Also, see our lighting products in action by following our YouTube channel.



Follow us on YouTube to see more Opti-Luxx products in action, including available flash patterns!



[www.opti-luxx.com](http://www.opti-luxx.com)  
(616) 379-4142