

# 2500 Series\*

## Class 1 High-Profile LED Beacon



\*Formerly "Richmond" Series

The 2500 Series Class 1 LED beacon produces a superior warning signal that promotes safety in all work environments. Ideal for snowplows, construction equipment, utility vehicles, and work trucks, this beacon has you covered with a compact, high-profile design that is super bright, durable, and simple to install. Multiple options are available for both LED and lens color. The magnetic mount includes a cigarette lighter adapter that allows you to toggle through all 11 flash patterns quickly and easily, providing you with great flexibility on the job. Also available in a permanent mount option.

### FEATURES

- 4 beacons in the series
- Small footprint
- Rugged polycarbonate construction
- Lens with UV inhibitors
- 360 degree illumination provides outstanding visibility from all angles
- SAE Class 1 certified



### FLASH PATTERNS

1. Single\*
2. Rapid Rotating
3. Triple
4. Quad
5. Quint
6. Single + Double
7. Rotating
8. Single + Quad
9. Double + Triple
10. Strobming
11. Burn

### OPTIONS

LENS	LED	MOUNT	CONNECTOR
AMBER	AMBER	SCREW	CABLE
CLEAR	AMBER	SCREW	CABLE
AMBER	AMBER	MAGNET	CIGARETTE LIGHTER
CLEAR	AMBER	MAGNET	CIGARETTE LIGHTER

\* SAE J845 Class 1 Compliant

### SPECIFICATIONS

#### INPUT VOLTAGE RANGE

10-30 VDC

#### CURRENT DRAW

0.877A/2.16A (min/max)

#### LED COUNT

64

#### FLASH PATTERNS

11

#### OPERATING TEMPERATURE

-40° C to +65° C

#### DIMENSIONS

Height – 3.5"

Diameter – 4.8"

#### MOUNTING

Permanent (Screw)

Magnet

#### CERTIFICATIONS

SAE J845 CLASS 1 BEACON

FMVSS/CMVSS 108

IP Code IP67

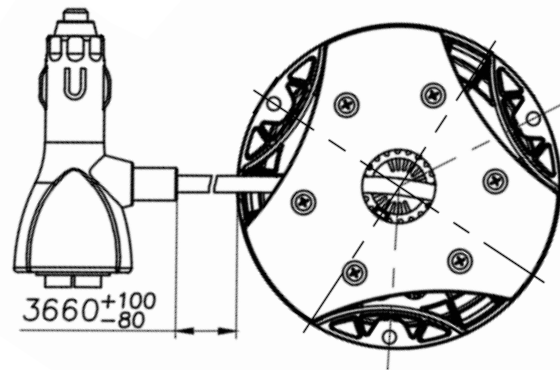
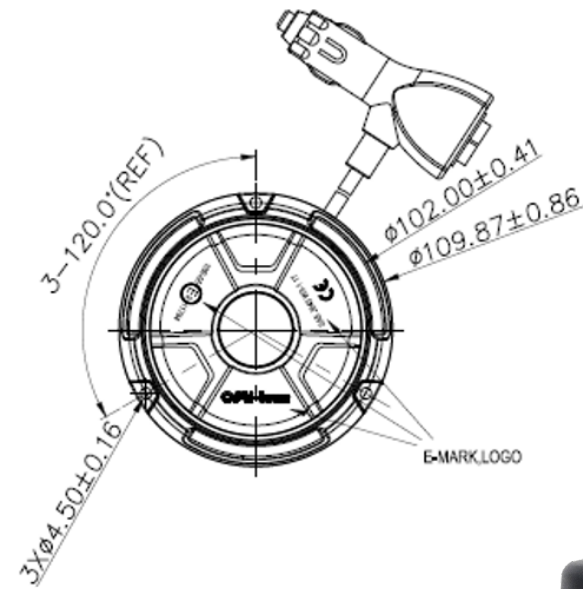
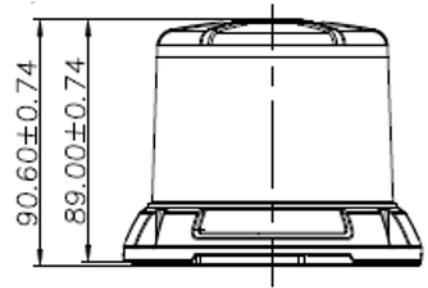
#### WARRANTY

3 YEAR

**2500 SERIES BEACON INSTALLATION AND MODEL SELECTION**

Measurements shown in millimeters.

PART NUMBER	MOUNT	LENS / LED	CONNECTOR
100BC0011	SCREW	● ● AMBER / AMBER	CABLE
100BC0012	SCREW	○ ● CLEAR / AMBER	CABLE
100BC0013	MAGNET	● ● AMBER / AMBER	CIGARETTE LIGHTER
100BC0014	MAGNET	○ ● CLEAR / AMBER	CIGARETTE LIGHTER



**LEARN MORE**

To learn more about the 2500 Series LED Beacon, please visit our website at [www.opti-luxx.com](http://www.opti-luxx.com) or call (616) 379-4142. Also, see our amber lighting products in action by following our YouTube channel.



*Follow us on YouTube to see more Opti-Luxx products in action, including available flash patterns!*



[www.opti-luxx.com](http://www.opti-luxx.com)  
(616) 379-4142