

RICHMOND Class 1 High-Profile Beacon Installation Instructions

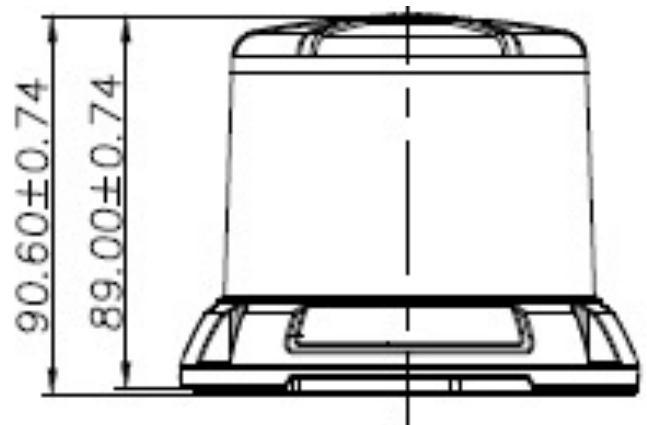
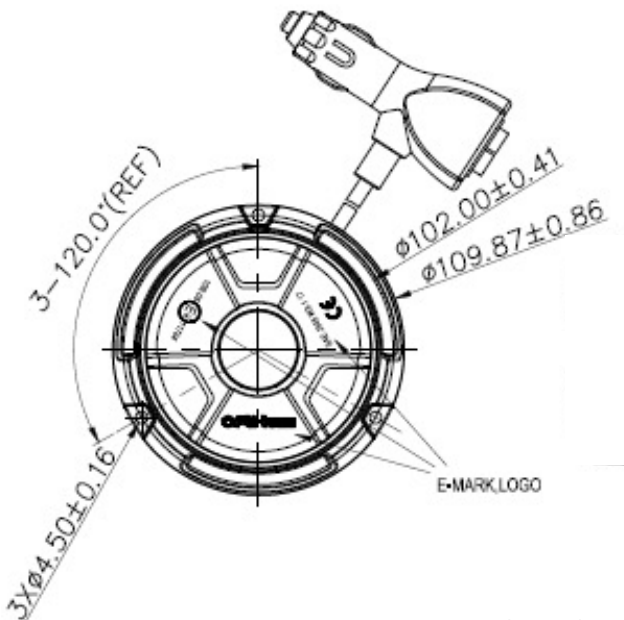
For model numbers: 100BC0011-A, 100BC0012-A,
100BC0013-A, 100BC0014-A



SECTION 1: MOUNTING – 2 OPTIONS

1. MAGNET MOUNT – 100BC0013-A, 100BC0014-A

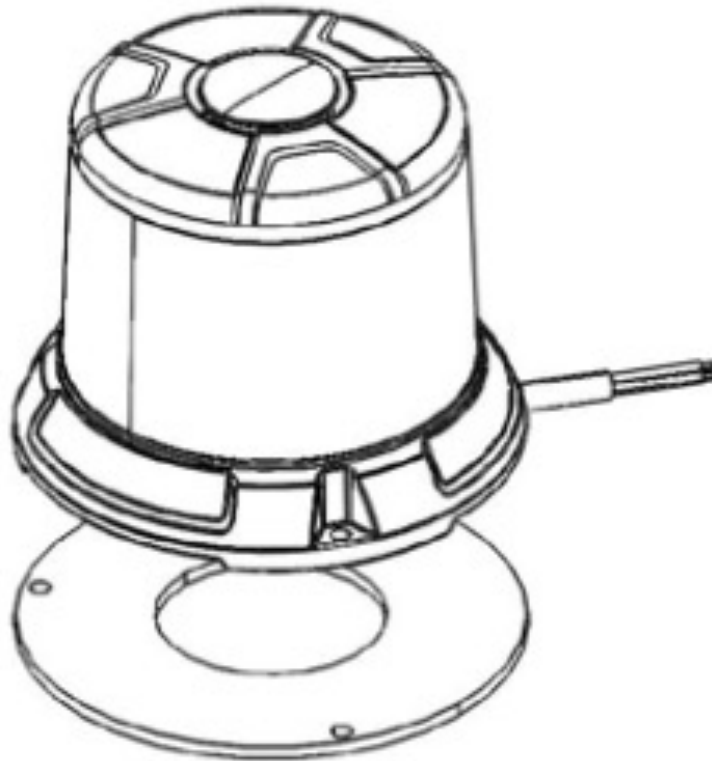
Determine a clean, flat location on your vehicle to mount the beacon (typically the roof). This base of the beacon comes equipped with a magnet base. Ensure the base is clean before placing on your vehicle. It is the responsibility of the installer and/or end user to determine whether it is safe to use magnetic mounting hardware for your application. The magnetic character of roof steel varies from vehicle to vehicle. Be sure that your vehicle can provide enough magnetic force to safely secure the beacon to the roof. Optional - product can be further secured with screws (3 – not included).



measurements shown in millimeters

2. PERMANENT MOUNT (SCREW) – 100BC0011-A, 100BC0012-A

Determine a clean, flat location on your vehicle to mount the beacon (typically the roof). The beacon comes with a separate gasket that can also serve as a template for mounting using the provided 3 screws. Before drilling holes, carefully measure to find the desired location on the vehicle's roof. Ensure damage is not done to electronics, the roof lining and the roof structure is not compromised. The holes should be of a suitable size. You must drill an extra hole for the cable. It is recommended using a suitable waterproof sealant (and suitable rubber grommet for the cable) to ensure the roof is waterproof. It is also important to treat the holes drilled in the roof with a suitable rust prevention solution. Do not overtighten screws (3 – included).



SECTION 2: WIRING OPTIONS – 2 OPTIONS



1. CIGARETTE LIGHTER ADAPTER – 100BC0013-A, 100BC0014-A

To turn on, plug the adapter into cigarette outlet and avoid obstructing the steering wheel, gear leaver, airbags or the view of the driver. Switch ON/OFF to on (red light illuminates). To select flash patterns, momentarily press the select switch to toggle between flash patterns until the desired pattern is found. Switch ON/OFF to off to power down the product. The light bar will recall the last flash pattern that was selected before powering down as the default. This default pattern will be in effect when powered back on during its next use.

2. WIRE FUNCTION – 100BC0011-A, 100BC0012-A

Red – Power

Blue – Ground

Green – Select (To change the flash pattern, touch and hold to power wire for one second until the desired pattern is selected).

NOTE: QR Code to Wiring chart on website: <https://opti-luxx.com/resources>

SECTION 3: FLASH PATTERN DETAIL

PATTERN	DESCRIPTION	FPM
1**	SINGLE FLASH	125
2	ROTATING RAPID	120
3	TRIPLE	76
4	QUAD	75
5	QUINT	68
6	SINGLE + DOUBLE	30
7	ROTATING	75
8	SINGLE + QUAD	26
9	DOUBLE + TRIPLE	19
10	STROBING	1500
11	BURN	NA

* DEFAULT PATTERN
 ** SAE J845 CLASS 1 COMPLIANT
 PATTERN SETTING: A) POWER BEACON B) MOMENTARILY APPLY POWER TO GREEN CIRCUIT C) REPEAT FOR NEXT PATTERN

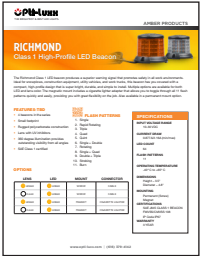
NOTES

- Lights to meet the following requirements:
 - FMVSS/CMVSS 108
 - SAE Standards: J845/2139
- Operating Conditions:
 - Voltage:
 - Automotive: 9–16Vdc.
 - Industrial: 10–30Vdc.
 - Current:
 - Nominal: 2.16A @13.5Vdc; 0.996A @28Vdc.
 - Min/Max: 1.94/2.38A @13.5Vdc; 0.896/1.095A @28Vdc.
 - Temperature: -40° to +65°C

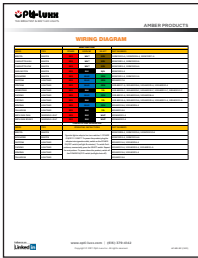
Installers and users must comply with all applicable federal, state and local laws regarding use and installation of warning devices. Improper use or installation may void warranty coverage.

If you have questions regarding this product, please refer to our website: www.opti-luxx.com/resources or you may email Customer Service at: customerservice@opti-luxx.com.

RICHMOND BROCHURE



RICHMOND WIRING CHART



RICHMOND FLASH PATTERNS

