

# 4000 Series\*

## Class 1 LED High Profile Beacon



\*Formerly "Charlotte" Series

The 4000 Series Class 1 LED beacon produces a superior warning signal that promotes safety in all work environments. A perfect solution for all commercial vehicles that are looking for a traditional strobe style beacon with the latest LED technology. This high-profile model in the series is available in both amber and white and comes standard with an adhered base gasket that assures a water-tight seal to your vehicle. A center drop wire and a traditional 3-hole screw mount make installation quick and easy. Each Charlotte beacon has four flash patterns to choose from.

### FEATURES





- 2 beacons in the series
- Plug & play compatible with existing 3-hole beacon mounting patterns
- Center drop wire for ease of installation
- Best-in-class optics provides light output that meets SAE J845 Class 1 requirements
- 360 degree illumination provides outstanding visibility from all angles
- Adhered base gasket assures water-tight seal to the vehicle without the use of sealants



### FLASH PATTERNS

1. Double\*
2. Triple\*
3. Quad\*
4. Rotating

### OPTIONS

LENS	LED	MOUNT	CONNECTOR
 AMBER	 AMBER	SCREW	CABLE
 CLEAR	 WHITE	SCREW	CABLE

\* SAE J845 Class 1 Compliant

### SPECIFICATIONS

#### INPUT VOLTAGE RANGE

10-30 VDC

#### CURRENT DRAW

1.02/1.4A (min/max)

#### LED COUNT

36

#### FLASH PATTERNS

4

#### OPERATING TEMPERATURE

-40° C to +65° C

#### DIMENSIONS

Height – 4.88"

Diameter – 6.7"

#### MOUNTING

Permanent (screw)

Adhered EVA gasket

#### CERTIFICATIONS

SAE J845/J2139 CLASS 1

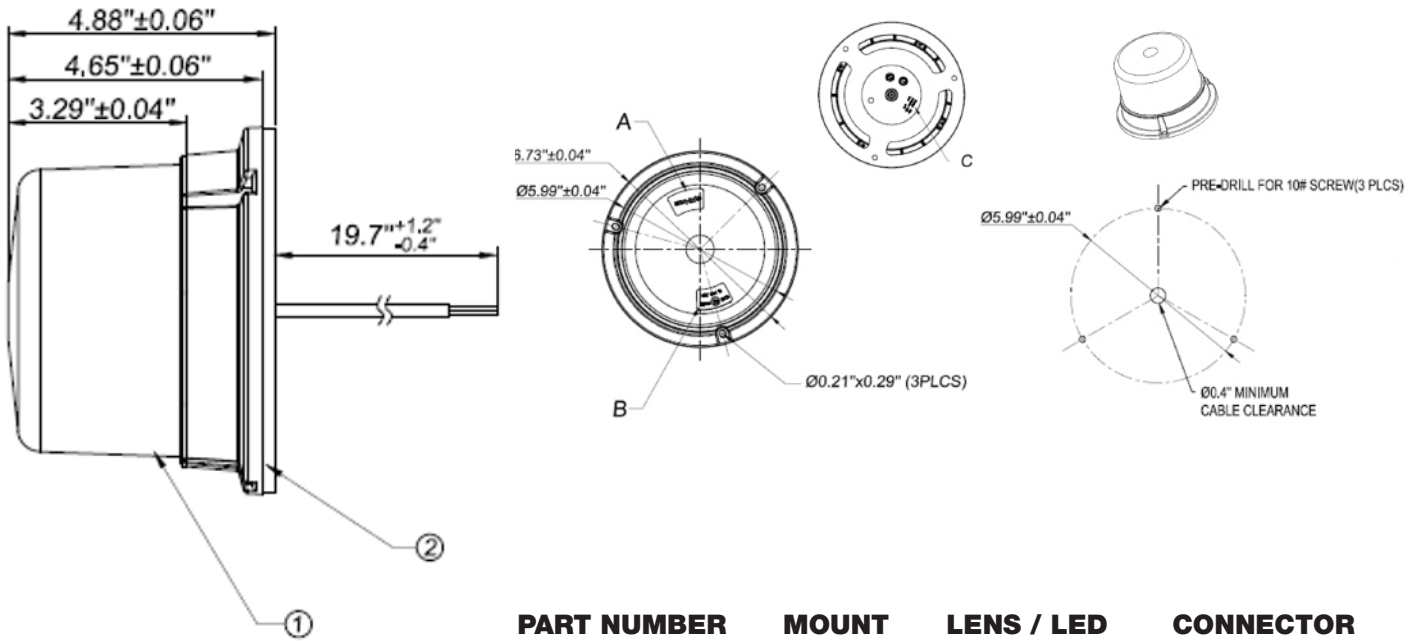
FMVSS/CMVSS 108

IP Code IP67

#### WARRANTY

5 YEAR

4000 SERIES HIGH PROFILE BEACON INSTALLATION AND MODEL SELECTION



PART NUMBER	MOUNT	LENS / LED	CONNECTOR
100BC002	SCREW	● ● AMBER / AMBER	CABLE
100BC001	SCREW	○ ○ CLEAR / WHITE	CABLE



LEARN MORE

To learn more about the 4000 Series LED Beacon, please visit our website at [www.opti-luxx.com](http://www.opti-luxx.com) or call (616) 379-4142. Also, see our lighting products in action by following our YouTube channel.



Follow us on YouTube to see more Opti-Luxx products in action, including available flash patterns!



[www.opti-luxx.com](http://www.opti-luxx.com)  
(616) 379-4142