

400 Series*

Class 1 LED Warning Light – 4" Round



*Formerly "Michigan" Series

The 400 Series Class 1 LED Warning Light produces an attention-grabbing warning signal that is designed to meet the demands of multiple commercial vehicles, including work trucks, municipal, construction, tow, and delivery. Available in both 4" round and 6" oval options, the Michigan series produces a powerful amber or green warning signal and comes standard with 8 different flash patterns to choose from. This rugged LED warning light is easily connected to your vehicle with the included three pin amp connector. Get noticed and stay safe with the Michigan Series of warning lights.

FEATURES

- 4" round and 6" oval available in the series
- Amber or green LED options
- High output LED's with 8 flash patterns
- Includes grommet mount and connector
- SAE Class 1 certified



FLASH PATTERNS

1. Quint
2. Rapid Single
3. Double
4. Quad
5. Single*
6. Single Slow*
7. Single Flash*
8. Rapid Double

OPTIONS

LENS	LED	MOUNT	CONNECTOR
CLEAR	AMBER	Grommet	Wire w/3 pin amp connector
CLEAR	GREEN	Grommet	Wire w/3 pin amp connector

also available with pigtail

SPECIFICATIONS

INPUT VOLTAGE RANGE
9-16VDC

CURRENT DRAW
203/317mA (min/max)

LED COUNT
18

FLASH PATTERNS
8

OPERATING TEMPERATURE
-40° C to +65° C

DIMENSIONS
Height – 1.05"
Diameter – 5.20"

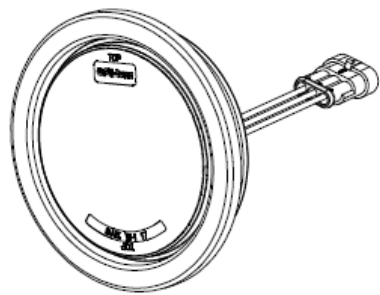
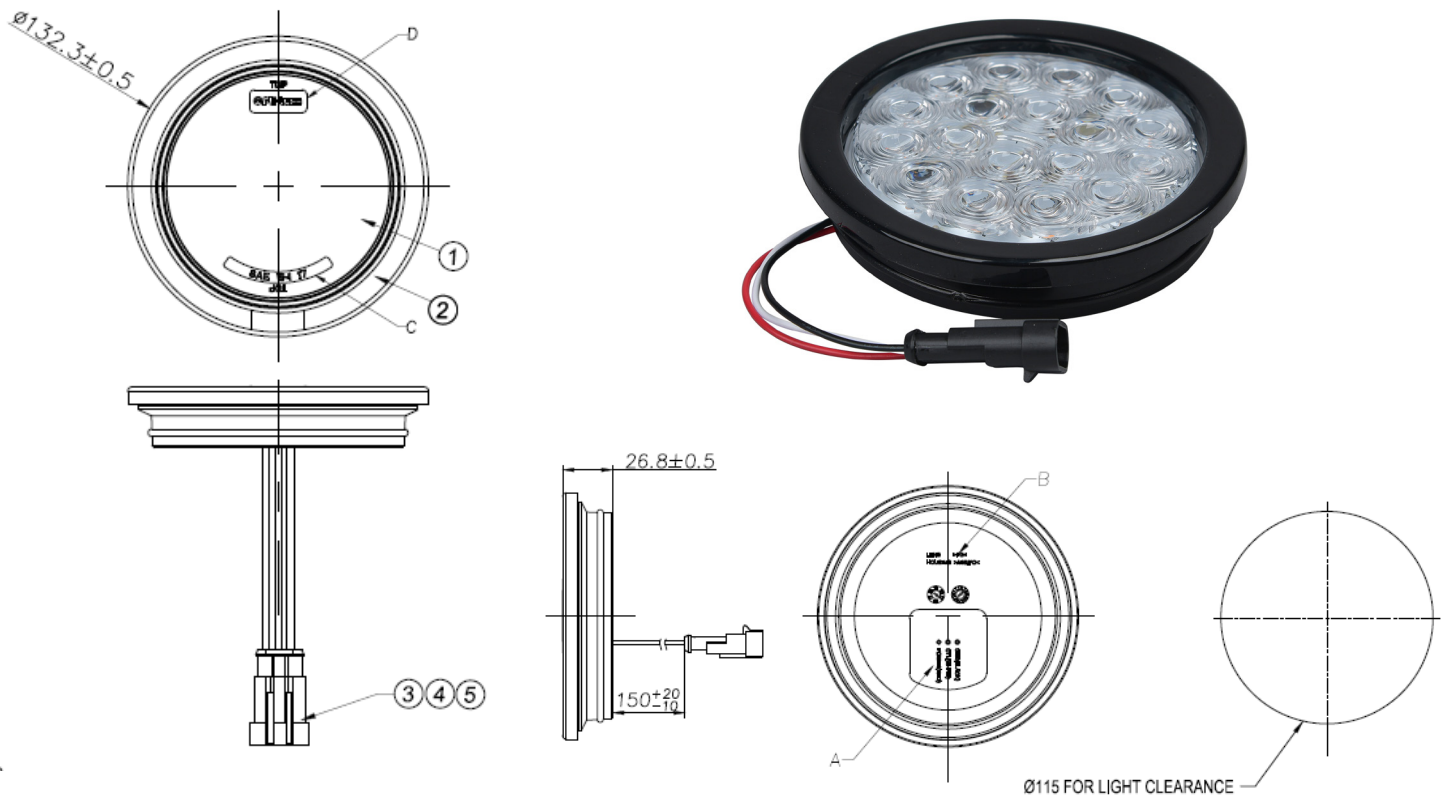
MOUNTING
Grommet

CERTIFICATIONS
SAE Standard: J595, Class 1
IP Code IP67

WARRANTY
3 YEAR

400 SERIES CLASS 1 LED WARNING LIGHT – 4" ROUND

Measurements shown in millimeters.



PART NUMBER	MOUNT	LENS / LED	CONNECTOR
100WA0002	GROMMET	CLEAR / AMBER	Wire w/3 pin amp connector
110WA0006	GROMMET	CLEAR / GREEN	Wire w/3 pin amp connector
110WA0011	GROMMET	CLEAR / AMBER	Wire w/3 pin amp connector plus pigtail (kit)
110WA0015	GROMMET	CLEAR / GREEN	Wire w/3 pin amp connector

LEARN MORE

To learn more about the 450 Series LED Warning Light, please visit our website at www.opti-luxx.com or call (616) 379-4142. Also, see our lighting products in action by following our YouTube channel.



Follow us on YouTube to see more Opti-Luxx products in action, including available flash patterns!



www.opti-luxx.com
(616) 379-4142