

# FONTANA Class 1 LED Light Bar Installation Instructions

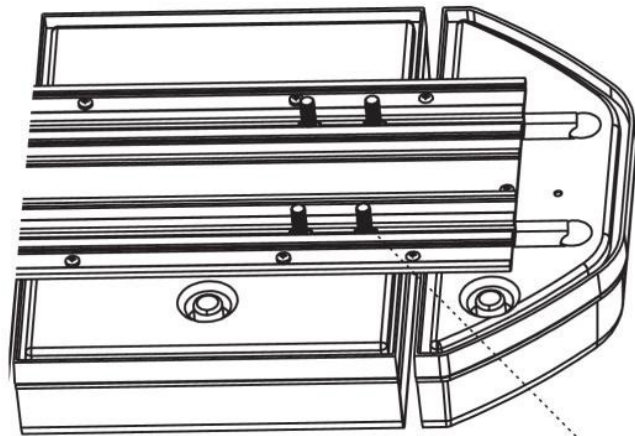
For model numbers: 100LB0027, 100LB0028, 100LB0029,  
100LB0030



## SECTION 1: MOUNTING

### PERMANENT MOUNT (SCREW) 100LB0027, 100LB0028, 100LB0029, 100LB0030

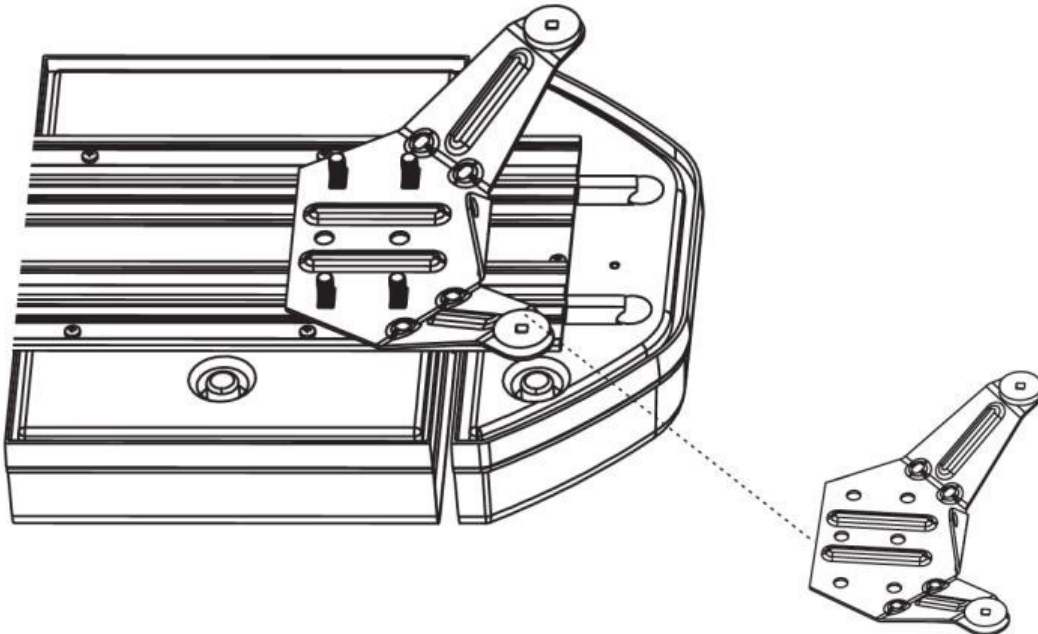
1. Slide the hex head bolts into the grooves along the bottom of the light bar (4 at each end).



short square head bolt (8)



2. Place bracket (2) on top of hex bolts.



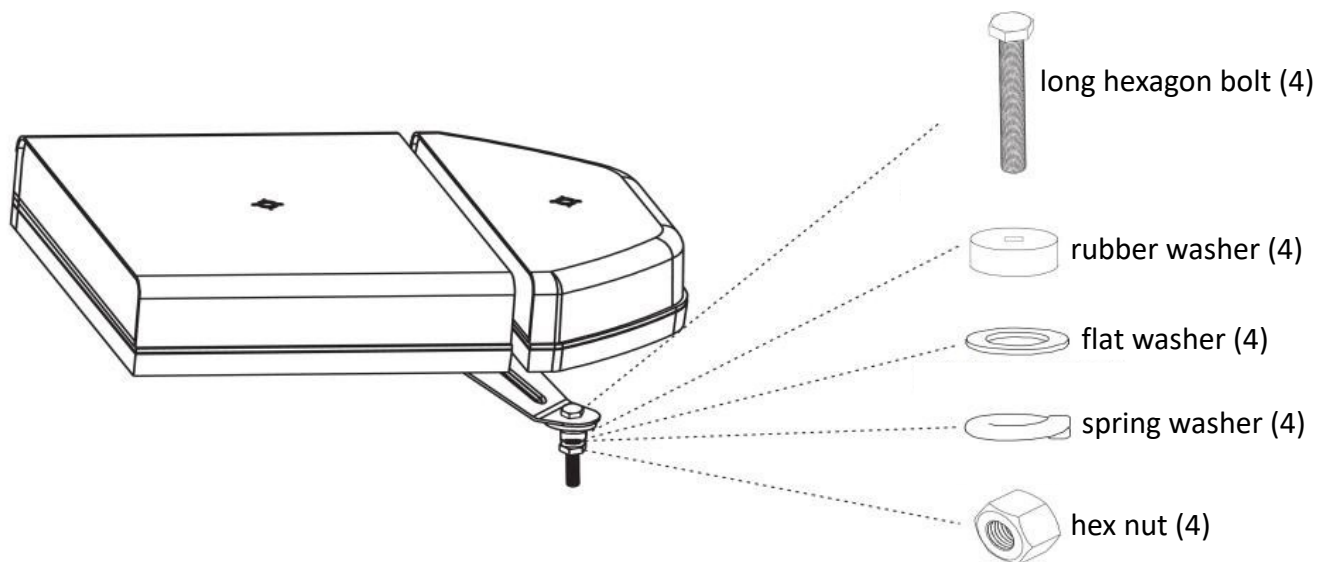
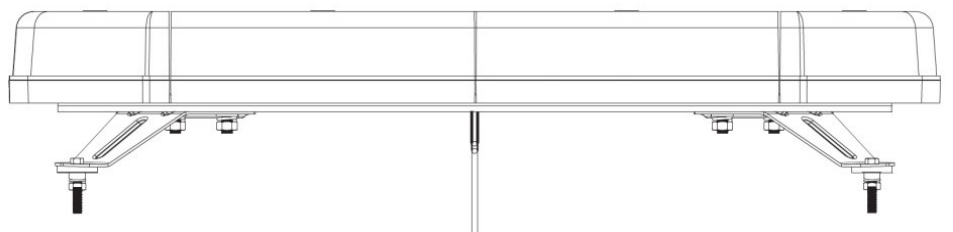
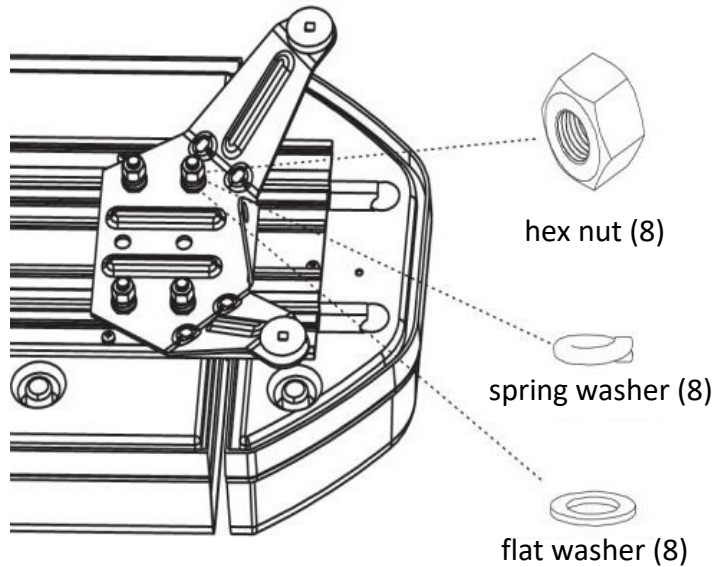
SECTION 1 CONTINUED: MOUNTING

3. Stack flat washer, spring washer and hex nut onto the bolts installed in the grooves. Do not overtighten.

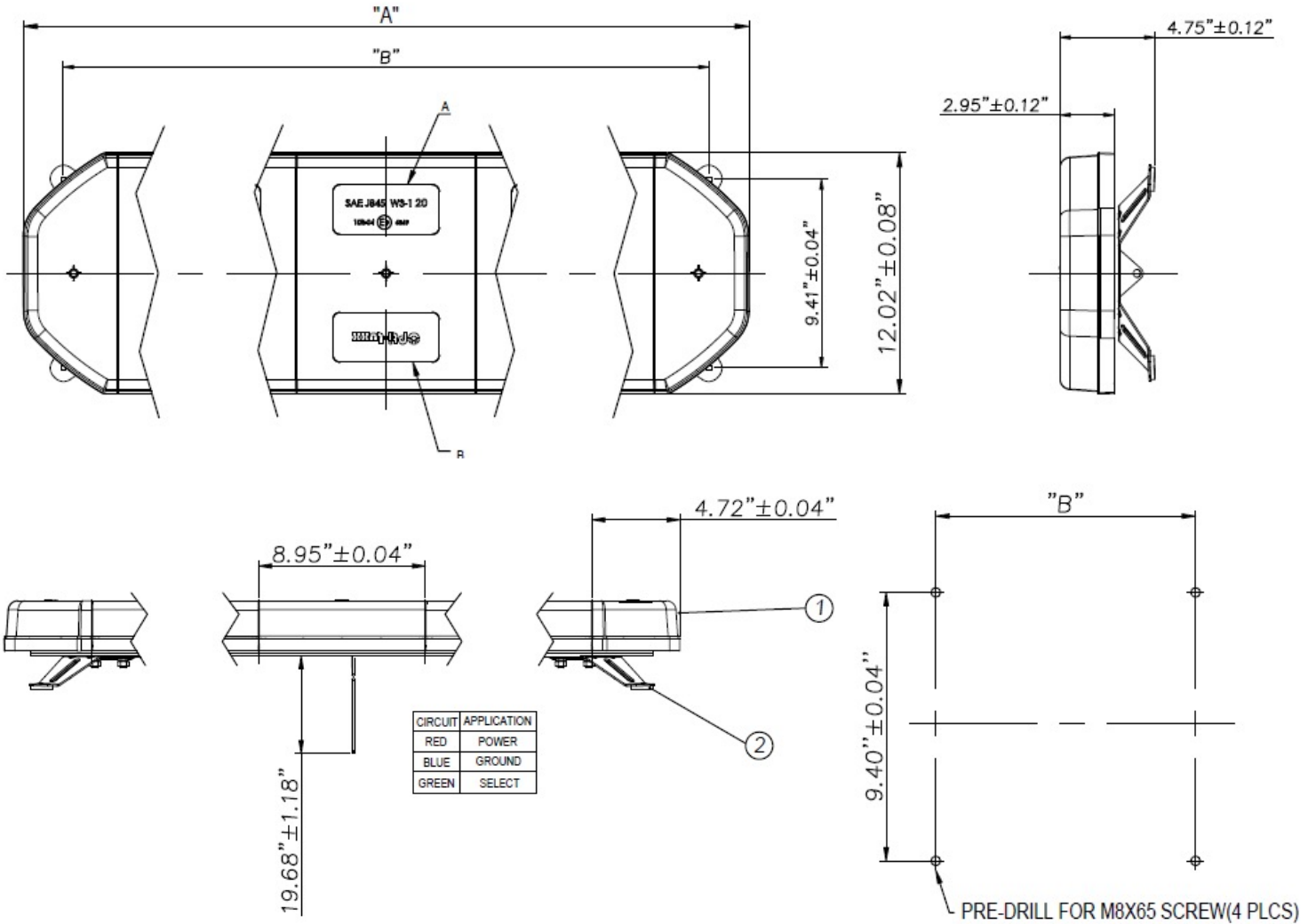
4. Adjust the bracket position to suit the profile of the vehicle roof before tightening.

5. Before drilling holes, carefully measure to find the desired location on the vehicle's roof. Ensure damage is not done to electronics, the roof lining and the roof structure is not compromised. The holes should be of a suitable size. You must drill an extra hole for the cable. It is also important that only the feet of the bracket are touching the roof of the vehicle. Install long hex bolt and rubber gasket above the roof and the flat washer, spring washer and hex nut below the roof and tighten. It is recommended using a suitable waterproof sealant (and suitable rubber grommet for the cable) to ensure the roof is waterproof. It is also important to treat the holes drilled in the roof with a suitable rust prevention solution.

**Do not overtighten hex bolts.**



SECTION 2: MEASUREMENTS



PART		"A"	"B"	LIGHT MODULE QTY			CURRENT @13.5V		CURRENT @28.0V	
NUMBER	REV	DIMENSION (inch)	DIMENSION (inch)	MIDDLE	END	WEIGHT (lbs)	NOM (A)	MIN/M AX (A)	NOM (A)	MIN/MAX (A)
100LB0027	A	18.38"	14.38"	1	2	12	3.10	2.50/3.70	1.70	1.20/2.20
100LB0028	A	27.33"	23.33"	2	2	14	5.00	3.50/6.50	2.50	1.80/3.20
100LB0029	A	36.28"	32.28"	3	2	18	6.30	5.60/7.00	3.10	2.70/3.50
100LB0030	A	45.23"	41.22"	4	2	22	9.50	8.50/10.50	4.40	3.90/4.90

**SECTION 3: WIRING**

**WIRE FUNCTION – 100LB0027, 100LB0028, 100LB0029, 100LB0030, BARE 3-WIRE CABLES**

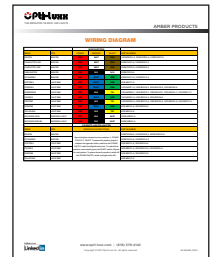
Red – Power

Blue – Ground

Green – Select (To change the flash pattern, touch and hold to power wire for one second until the desired pattern is selected)

**NOTE:** Wiring chart on website: <https://opti-luxx.com/resources> or scan this QR:

FONTANA  
WIRING CHART



**SECTION 4: FLASH PATTERN DETAIL**

PATTERN	DESCRIPTION	FPM
1**	SINGLE FLASH	146
2	DIRECTIONAL + ALTERNATING + DOUBLE FLASH	50
3	SINGLE + QUAD	50
4	SINGLE + TRIPLE + QUINT	8
5	ALTERNATING + RAPID ALTERNATING + FLASH	35
6	ALTERNATING + FLASH + RAPID FLASH	22
7	QUAD	12
8	ALTERNATING + DOUBLE FLASH	11
9	RAPID DIRECTIONAL	40
10	DIRECTIONAL	11

**NOTES**

- Lights to meet the following requirements:
  - FMVSS/CMVSS 108
  - SAE Standards: J845/2139
- Operating Conditions:
  - Voltage:
    - Automotive: 9–16Vdc.
    - Industrial: 10–30Vdc.
  - Current
    - Nominal: 3.10A @13.5Vdc; 1.70A @28Vdc.
    - Min/Max: 2.50/3.70A @13.5Vdc; 1.20/2.20A @28Vdc.
  - Temperature: –40° to +65°C

Installers and users must comply with all applicable federal, state and local laws regarding use and installation of warning devices. Improper use or installation may void warranty coverage.

If you have questions regarding this product, please refer to our website: [www.opti-luxx.com/resources](http://www.opti-luxx.com/resources) or you may email Customer Service at: [customerservice@opti-luxx.com](mailto:customerservice@opti-luxx.com).

\* **DEFAULT PATTERN**  
 \*\* **SAE J845 CLASS 1 COMPLIANT**  
**PATTERN SETTING:** A) POWER LIGHT BAR B) MOMENTARILY APPLY POWER TO YELLOW CIRCUIT C) REPEAT FOR NEXT PATTERN

FONTANA  
BROCHURE



FONTANA  
FLASH  
PATTERNS



[www.opti-luxx.com](http://www.opti-luxx.com)  
[customerservice@opti-luxx.com](mailto:customerservice@opti-luxx.com)

