

TALLADEGA Class 1 16" LED Light Bar

Installation Instructions

For model numbers: 100LB0013-A, 100LB0014-A



SECTION 1: MOUNTING — 2 OPTIONS

1. MAGNET MOUNT – 100LB0013-A

Determine a clean, flat location on your vehicle to mount the light bar (typically the roof). This light bar comes equipped with four magnetic feet. Ensure the magnetic feet are clean before placing on your vehicle. It is the responsibility of the installer and/or end user to determine whether it is safe to use magnetic mounting hardware for your application. The magnetic character of roof steel varies from vehicle to vehicle. Be sure that your vehicle can provide enough magnetic force to safely secure the light bar to the roof.

2. 4 STUD MOUNT – 100LB0014-A

The bar is supplied with the following hardware for mounting:

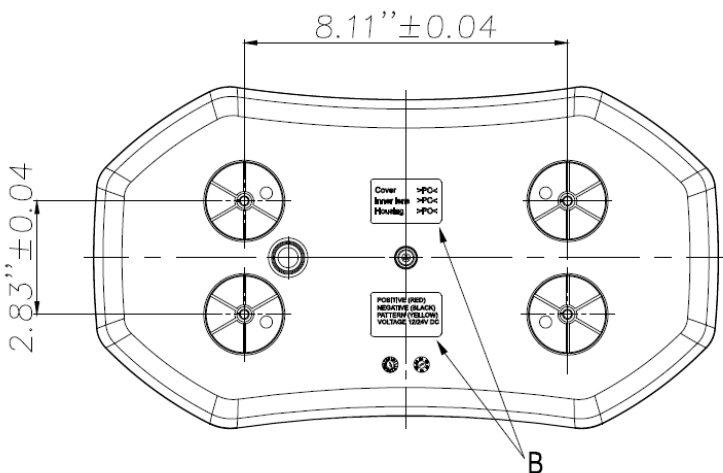
- 4 double ended bolts**
- 4 foam cushions**
- 4 flat washers**
- 4 spring washers**
- 4 flange nuts**

1. Thread the shorter ends of the double ended bolts into the four circles on underside of the light bar.
2. Place the four foam cushions on top of the double ended bolts.
3. Stack a flat washer and a spring washer on top of the foam cushion.
4. After holes are drilled, tighten flange nut and secure to the vehicle.

NOTES

Before drilling holes, carefully measure to find the desired location on the vehicles roof. Ensure damage is not done to electronics, the roof lining and the roof structure is not compromised. The holes should be of a suitable size. You must drill an extra hole for the cable. It is recommended using a suitable waterproof sealant (and suitable rubber grommet for the cable) to ensure the roof is waterproof. It is also important to treat the holes drilled in the roof with a suitable rust prevention solution.

Do not overtighten flange nuts.



SECTION 2: WIRING OPTIONS – 2 OPTIONS



1. CIGARETTE LIGHTER ADAPTER – 100LB0013-A

To turn on, plug the adapter into cigarette outlet and avoid obstructing the steering wheel, gear leaver, airbags or the view of the driver. Switch ON/OFF to on (red light illuminates). To select flash patterns, momentarily press the select switch to toggle between flash patterns until the desired pattern is found. Switch ON/OFF to off to power down the product. The light bar will recall the last flash pattern that was selected before powering down as the default. This default pattern will be in effect when powered back on during its next use.

2. WIRE FUNCTION – 100LB0014-A

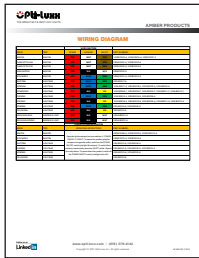
Red – Power

Blue – Ground

Yellow – Select (To change the flash pattern, touch and hold to power wire for one second until the desired pattern is selected)

NOTE: QR Code to Wiring chart on website: <https://opti-luxx.com/resources>

**TALLADEGA
WIRING CHART**



SECTION 3: FLASH PATTERN DETAIL

PATTERN	DESCRIPTION	FPM
1**	SINGLE	125
2	SINGLE	259
3	TRIPLE	29
4	ROTATING	67
5	SINGLE + QUINT	33
6	COMBINATION	23
7	TRIPLE	75
8	TRIPLE	27
9	COMBINATION	14
10	TRIPLE	11

* **DEFAULT PATTERN**
 ** **SAE J845 CLASS 1 COMPLIANT**
PATTERN SETTING: A) POWER BEACON B) MOMENTARILY PRESS THE SELECT SWITCH C) REPEAT FOR NEXT PATTERN

NOTES

- Lights to meet the following requirements:
 - FMVSS/CMVSS 108
 - SAE Standards: J845/2139
- Operating Conditions:
 - Voltage:
 - Automotive: 9–16Vdc.
 - Industrial: 10–30Vdc.
 - Current:
 - Nominal: 2.65A @13.5Vdc; 1.3A @28Vdc.
 - Min/Max: 2.30/3.0A @13.5Vdc; 1.10/1.50A @28Vdc.
 - Temperature: –40° to +65°C

Installers and users must comply with all applicable federal, state and local laws regarding use and installation of warning devices. Improper use or installation may void warranty coverage.

If you have questions regarding this product, please refer to our website: www.opti-luxx.com/resources or you may email Customer Service at: customerservice@opti-luxx.com.

TALLADEGA BROCHURE



TALLADEGA FLASH PATTERNS



www.opti-luxx.com
customerservice@opti-luxx.com