

# SONOMA Class 1 LED Light Bar

## Installation Instructions

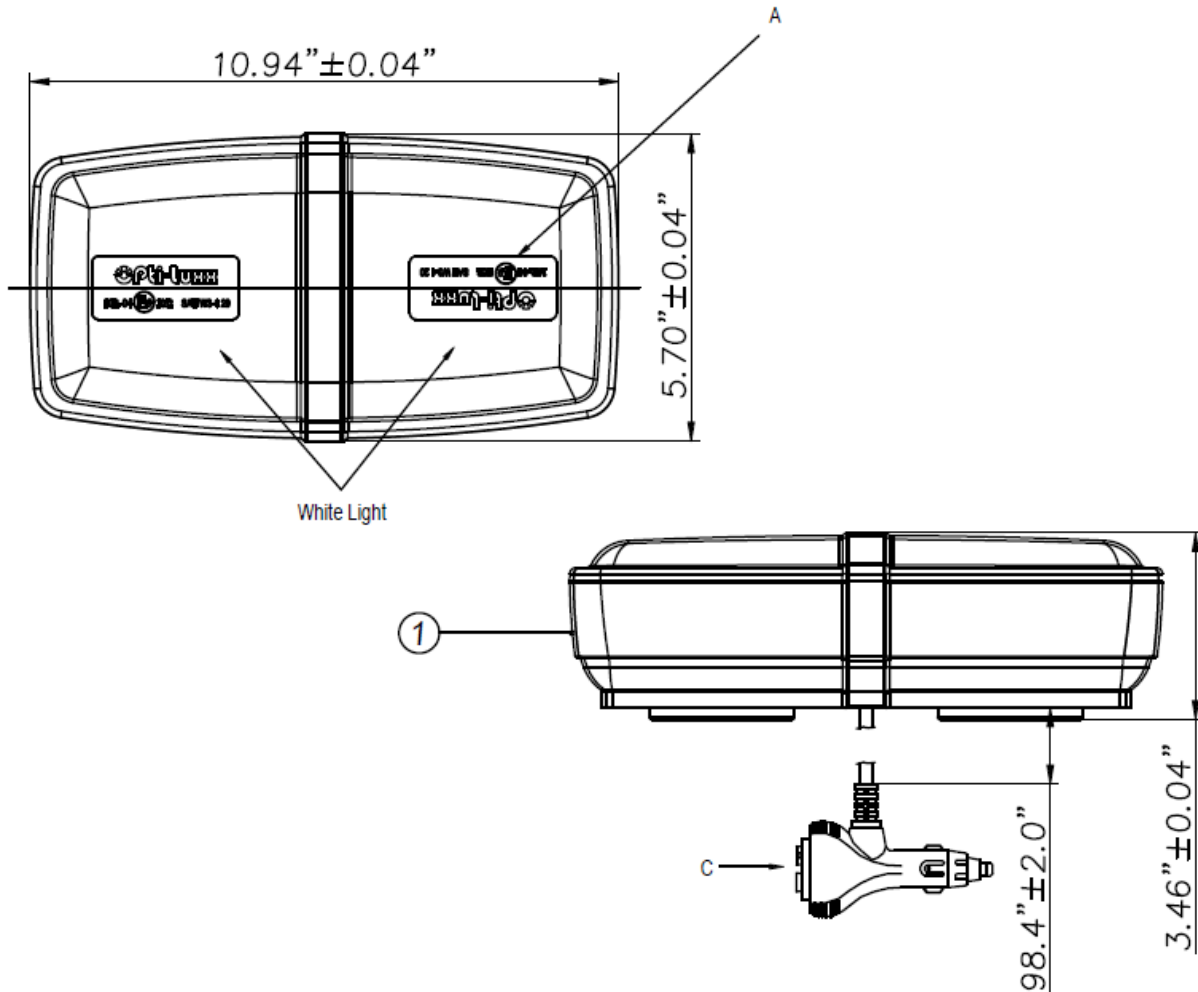
For model numbers: 100LB0023 100LB0024, 100LB0025, 100LB0026



### SECTION 1: MOUNTING — 2 OPTIONS

#### 1. MAGNET MOUNT – 100LB0023, 100LB0025

Determine a clean, flat location on your vehicle to mount the light bar (typically the roof). This light bar comes equipped with four magnetic feet. Ensure the magnetic feet are clean before placing on your vehicle. It is the responsibility of the installer and/or end user to determine whether it is safe to use magnetic mounting hardware for your application. The magnetic character of roof steel varies from vehicle to vehicle. Be sure that your vehicle can provide enough magnetic force to safely secure the light bar to the roof.



**2. POST MOUNT – 100LB0024,  
100LB0026**

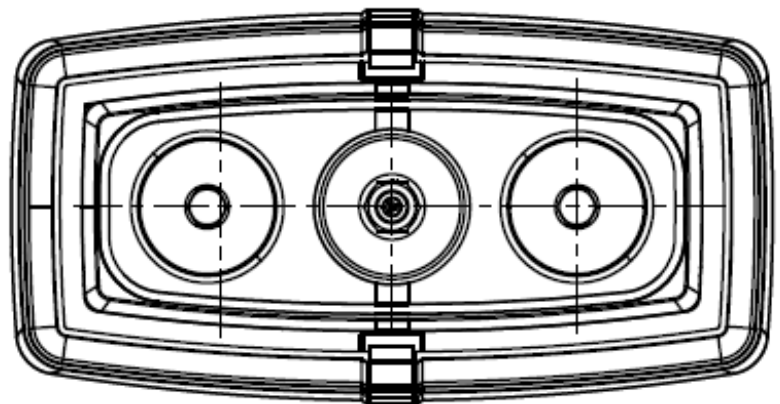
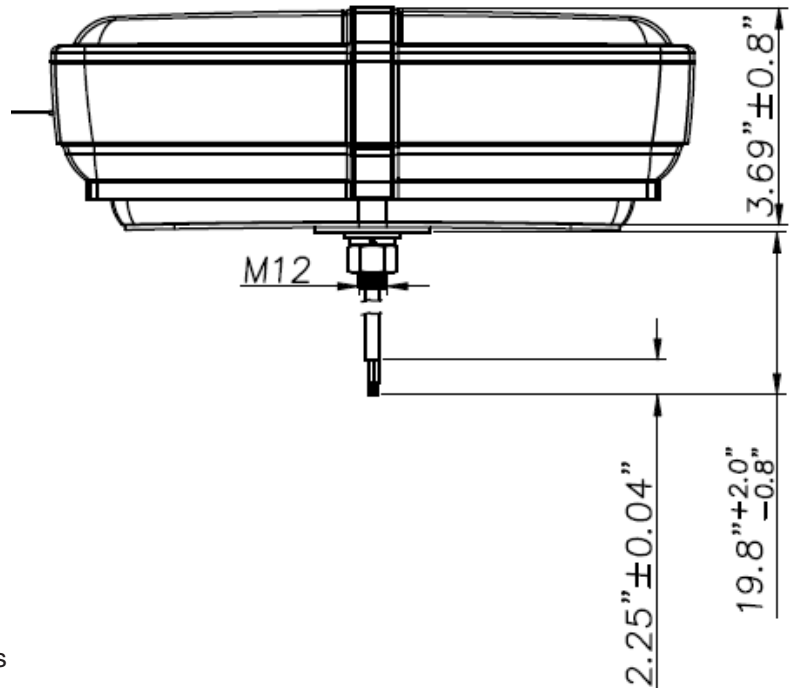
The bar is supplied with the following hardware for mounting:

- 1 M12 bolt
- 1 adhesive foam cushion
- 1 flat washer
- 1 spring washer
- 1 nut

**NOTES**

Before drilling holes, carefully measure to find the desired location on the vehicles roof. Ensure damage is not done to electronics, the roof lining and the roof structure is not compromised. The holes should be of a suitable size. It is recommended using a suitable waterproof sealant (and suitable rubber grommet for the cable) to ensure the roof is waterproof. It is also important to treat the holes drilled in the roof with a suitable rust prevention solution.

**Do not overtighten the nut.**



**SECTION 2: WIRING OPTIONS – 2 OPTIONS**



**1. CIGARETTE LIGHTER ADAPTER – 100LB0023, 100LB0025**

To turn on, plug the adapter into cigarette outlet and avoid obstructing the steering wheel, gear leaver, airbags or the view of the driver. Switch ON/OFF to on (red light illuminates). To select flash patterns, momentarily press the select switch to toggle between flash patterns until the desired pattern is found. Switch ON/OFF to off to power down the product. The light bar will recall the last flash pattern that was selected before powering down as the default. This default pattern will be in effect when powered back on during its next use.

**2. WIRE FUNCTION – 100LB0024, 100LB0026**

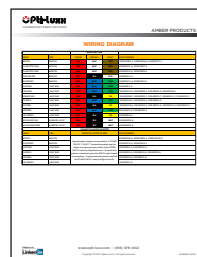
**Red – Power**

**Blue – Ground**

**Green – Select** (To change the flash pattern, touch and hold to power wire for one second until the desired pattern is selected)

**NOTE:** QR Code to Wiring chart on website: <https://opti-luxx.com/resources>

**SONOMA  
WIRING CHART**



**SECTION 3: FLASH PATTERN DETAIL**

PATTERN	DESCRIPTION	FPM
1**	SINGLE FLASH	150
2	RAPID DIRECTIONAL	62
3	RAPID ALTERNATING	49
4	RAPID DIRECTIONAL + RAPID ALTERNATING + FLASH	14
5	ROTATING	78
6	FLASH ROTATING	40
7	ALTERNATING + RAPID ALTERNATING + RAPID FLASH	20
8	FLASH + RAPID FLASH + RAPID	18
9	QUAD	53
10	FLASH + RAPID ALTERNATING + ROTATING	23

**\* DEFAULT PATTERN**  
**\*\* SAE J845 CLASS 1 COMPLIANT**  
**PATTERN SETTING:** A) POWER BEACON B) MOMENTARILY PRESS THE SELECT SWITCH C) REPEAT FOR NEXT PATTERN

**NOTES**

- Lights to meet the following requirements:
  - FMVSS/CMVSS 108
  - SAE Standards: J845/2139
- Operating Conditions:
  - Voltage:
    - Automotive: 9–16Vdc.
    - Industrial: 10–30Vdc.
  - Current:
    - Nominal: 1.7A @13.5Vdc; 0.95A @28Vdc.
    - Min/Max: 1.53/1.87A @13.5Vdc; 0.855/1.045A @28Vdc.
  - Temperature: –40° to +65°C

Installers and users must comply with all applicable federal, state and local laws regarding use and installation of warning devices. Improper use or installation may void warranty coverage.

If you have questions regarding this product, please refer to our website: [www.opti-luxx.com/resources](http://www.opti-luxx.com/resources) or you may email Customer Service at: [customerservice@opti-luxx.com](mailto:customerservice@opti-luxx.com).

SONOMA  
BROCHURE



SONOMA  
FLASH PATTERNS  
ON YOUTUBE

