

MICHIGAN Warning Light — Round and Oval Installation Instructions

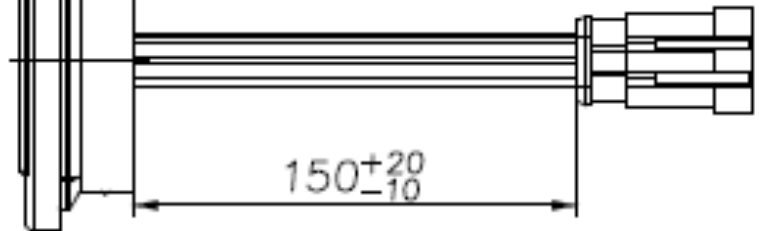
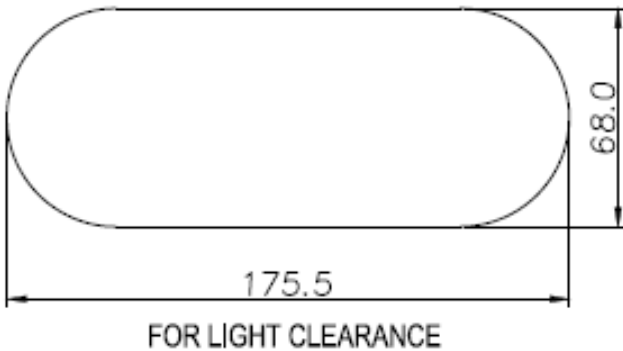
For model numbers: 100WA0001-A, 100WA0002-A, 110WA0001-A, 110WA0002-WA



SECTION 1: MOUNTING

6" OVAL – 100WA0001-A, 110WA0001-A

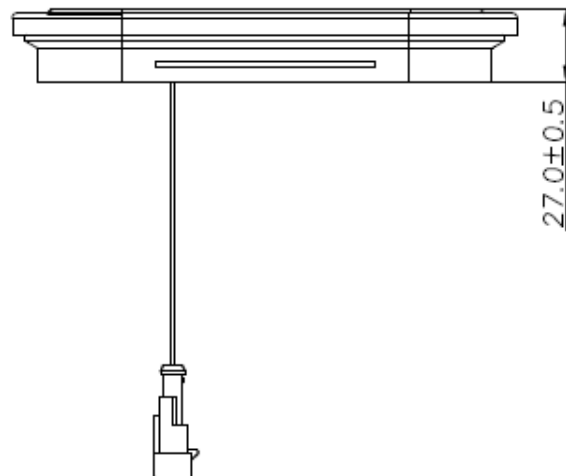
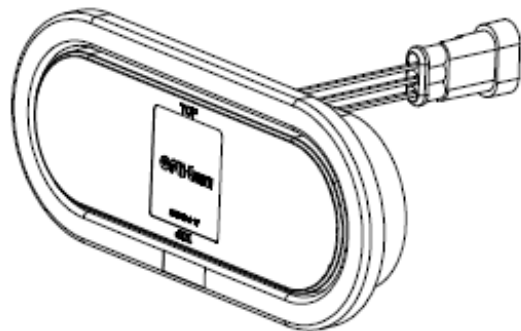
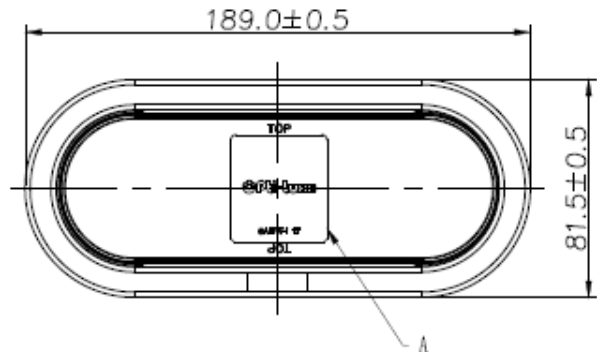
1. Cut a hole using the measurements provided below (mm) if needed.



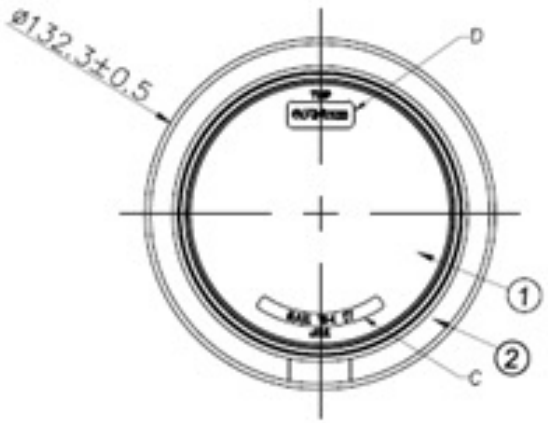
2. Feed the wires through the hole and connect to the wire harness in the vehicle.
3. Push the light into the grommet until it seats.

NOTES

Before drilling holes, carefully measure to find the desired location on the vehicle.



SECTION 1: MOUNTING (CONTINUED)

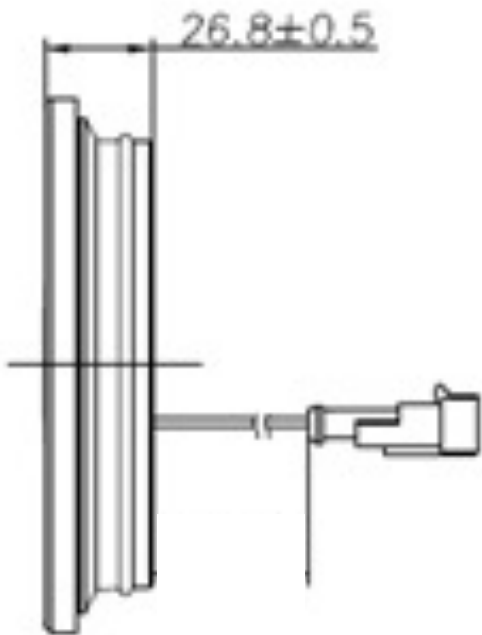
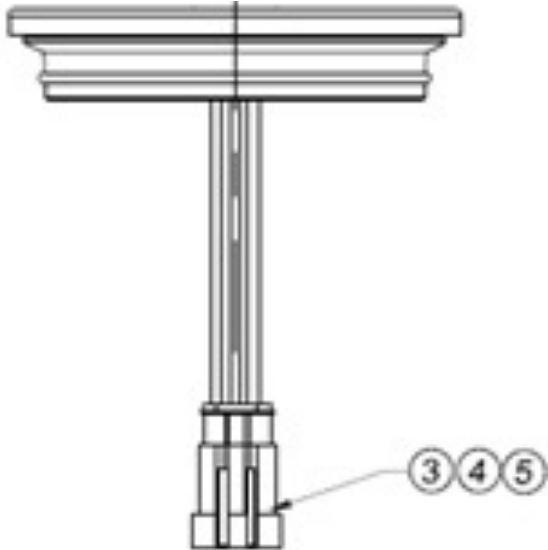


4" ROUND – 100WA0002-A, 110WA0002-A

- 1. Cut a 4.5" hole in the vehicle if needed.
- 2. Feed the wires through the hole and connect to the wire harness in the vehicle.
- 3. Push the light into the hole until it seats.

NOTES

Before drilling holes, carefully measure to find the desired location on the vehicle.



SECTION 2: WIRING

100WA0001-A, 100WA0002-A

w/ amp connector

110WA0001-A, 110WA0002-A

includes kit with pigtail

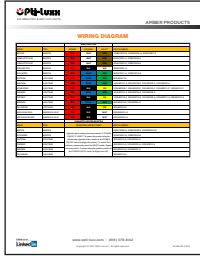
BARE WIRE FUNCTION – 100WA0001-A, 100WA0002-A

Red – Power

Blue – Ground

White– Select *(To change the flash pattern, touch and hold to power wire for one second until the desired pattern is selected).*

NOTE: QR Code to Wiring chart on website:
<https://opti-luxx.com/resources> or **scan this QR:**



**MICHIGAN
WIRING CHART**

SECTION 3: FLASH PATTERN DETAIL

PATTERN	DESCRIPTION	RATE (fpm)
1*	QUINT	70
2	SINGLE	341
3	DOUBLE	69
4	QUAD	70
5**	SINGLE	188
6**	SINGLE	115
7**	SINGLE	221
8	DOUBLE	139
<p>* DEFAULT PATTERN ** SAE J845 CLASS 1 COMPLIANT</p>		

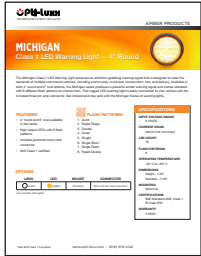
NOTES

- Lights to meet the following requirements:
 - SAE Standard: J845, Class 1
 - IP CODE: IP67
- Operating Conditions:
 - Voltage: 9–16Vdc.
 - Current:
 - Nominal: 288mA.
 - Min/Max: 255/411mA.
 - Temperature: –40° to +65°C.
- Mounting Details:
 - Grommet.

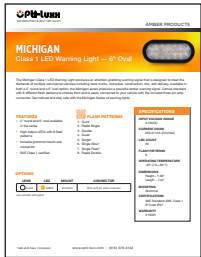
Installers and users must comply with all applicable federal, state and local laws regarding use and installation of warning devices. Improper use or installation may void warranty coverage.

If you have questions regarding this product, please refer to our website: www.opti-luxx.com/resources or you may email Customer Service at: customerservice@opti-luxx.com.

MICHIGAN BROCHURES



Michigan Round



Michigan Oval

MICHIGAN FLASH PATTERNS

