

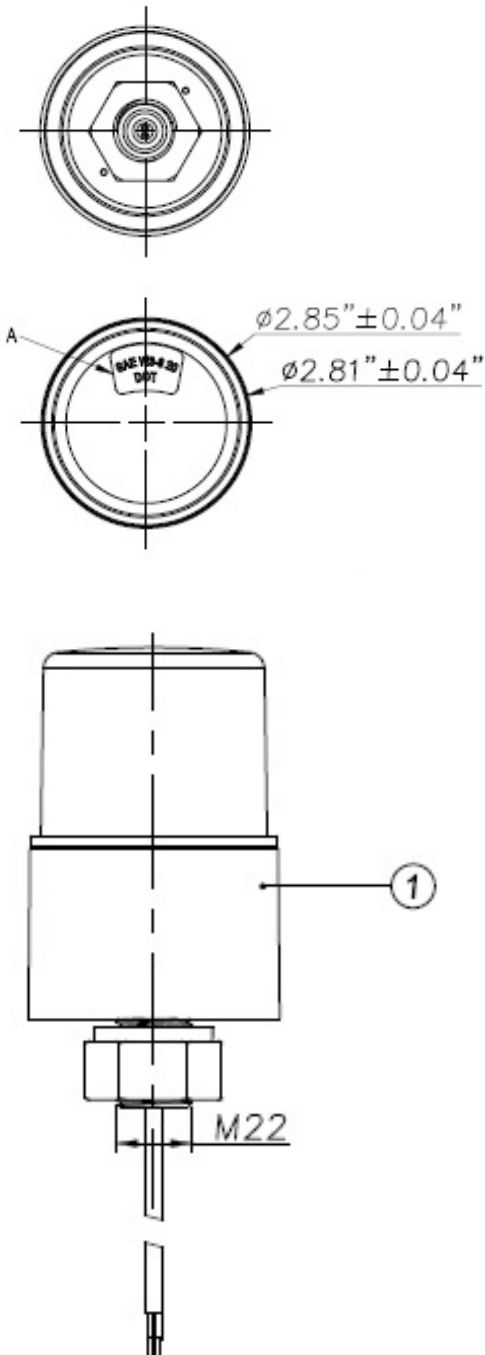
# DARLINGTON Class 3 LED Beacon

## Installation Instructions

For model number: 1100BC0015-A



### SECTION 1: MOUNTING



#### POST MOUNT – 100LB0015-A

The beacon is supplied with the following hardware for mounting:

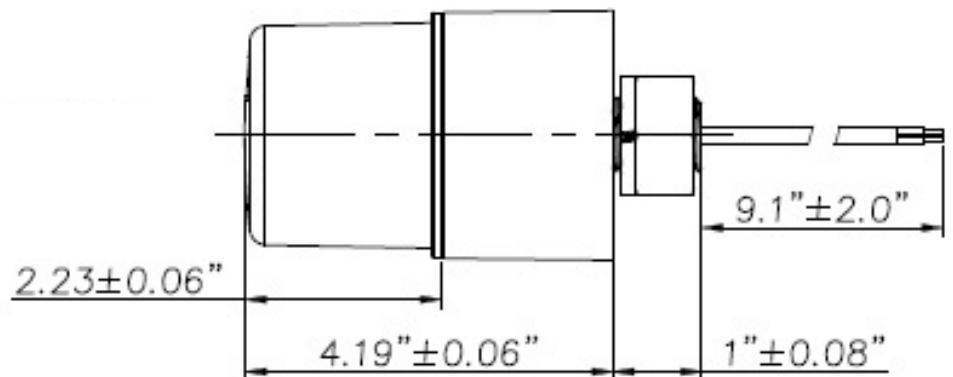
**M22 post (attached)**

**1 spring washer**

**1 nut**

#### NOTES

Before drilling holes, carefully measure to find the desired location on the vehicles roof. Ensure damage is not done to electronics, the roof lining and the roof structure is not compromised. The hole should be of a suitable size. It is recommended using a suitable waterproof sealant (and suitable rubber grommet for the cable) to ensure the roof is waterproof. It is also important to treat the holes drilled in the roof with a suitable rust prevention solution. Do not overtighten the nut.



SECTION 2: WIRING

WIRE FUNCTION – 100CB0015-A

Red – Power

Blue – Ground

NOTE: QR Code to Wiring chart on website: <https://opti-luxx.com/resources>

SECTION 3: FLASH PATTERN DETAIL

PATTERN	DESCRIPTION	RATE (fpm)
1*	QUAD	75
* SAE J845 CLASS 3 COMPLIANT		

NOTES

- Lights to meet the following requirements:
  - FMVSS/CMVSS 108
  - SAE Standards: J845/2139 Class 3
- Operating Conditions:
  - Voltage:
    - Automotive: 9–16Vdc.
    - Industrial: 10–80Vdc.
  - Current:
    - Nominal: 0.048A @13.5Vdc; 0.048A @80Vdc.
    - Min/Max: 0.43±10% A @13.5Vdc; 0.43±10% A @80Vdc.
  - Temperature: –40° to +65°C
- Mounting Details: M22 post with nut
- Cable: 2x0.75mm<sup>2</sup>.
- Component Weight: 0.78 lbs.

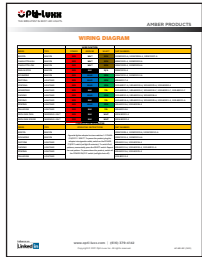
Installers and users must comply with all applicable federal, state and local laws regarding use and installation of warning devices. Improper use or installation may void warranty coverage.

If you have questions regarding this product, please refer to our website: [www.opti-luxx.com/resources](http://www.opti-luxx.com/resources) or you may email Customer Service at: [customerservice@opti-luxx.com](mailto:customerservice@opti-luxx.com).

DARLINGTON BROCHURE



DARLINGTON WIRING CHART



DARLINGTON FLASH PATTERNS



[www.opti-luxx.com](http://www.opti-luxx.com)  
[customerservice@opti-luxx.com](mailto:customerservice@opti-luxx.com)