

Charlotte: High and Low Profile Installation Instructions

For model numbers: 100BC0001, 100BC0002, 100BC0003, 100BC0004

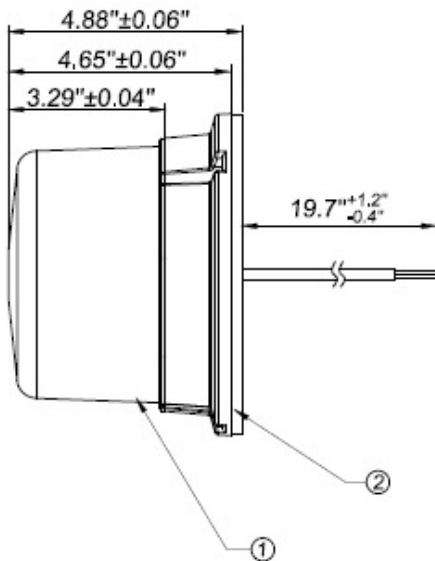


SECTION 1: MOUNTING

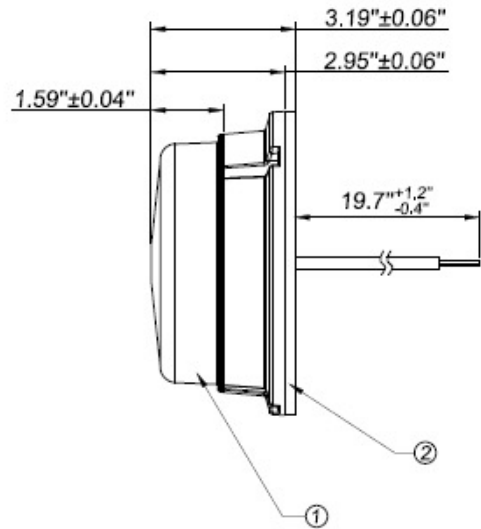
PERMANENT MOUNT (SCREW) – 100BC0001, 100BC0002, 100BC0003, 100BC0004

- Determine a clean, flat location on your vehicle to mount the beacon (typically the roof). The beacon comes with a gasket that is adhered to the bottom of the product. Before drilling holes, carefully measure to find the desired location on the vehicle's roof. Ensure damage is not done to electronics, the roof lining and the roof structure is not compromised. The holes should be of a suitable size. You must drill an extra hole for the cable. It is recommended using a suitable waterproof sealant (and suitable rubber grommet for the cable) to ensure the roof is waterproof. It is also important to treat the holes drilled in the roof with a suitable rust prevention solution. Do not overtighten screws (3 - not included).

CHARLOTTE HIGH PROFILE 100BC0001, 100BC0002

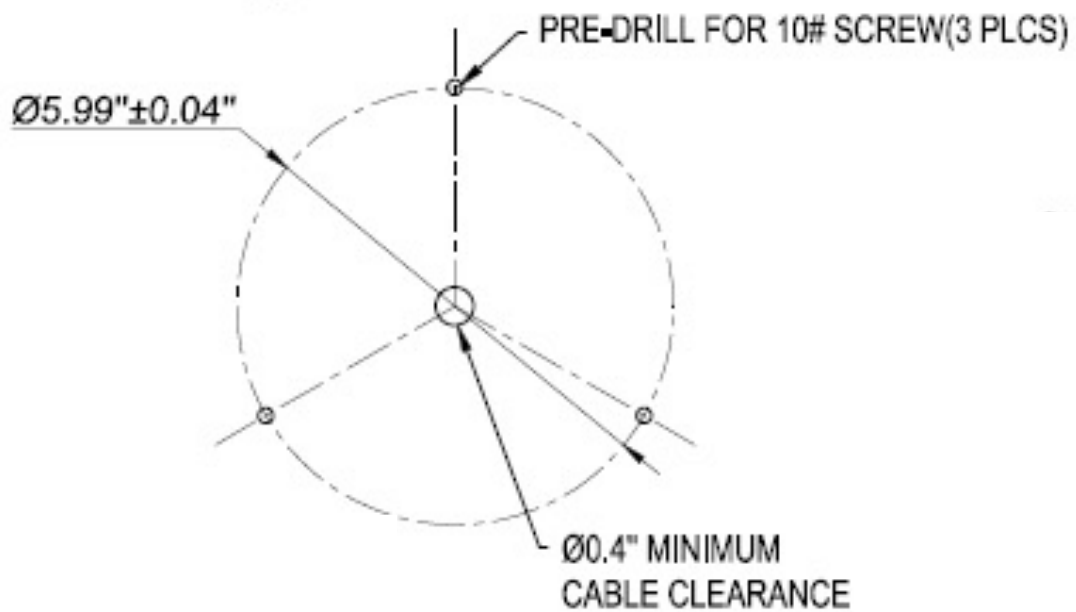
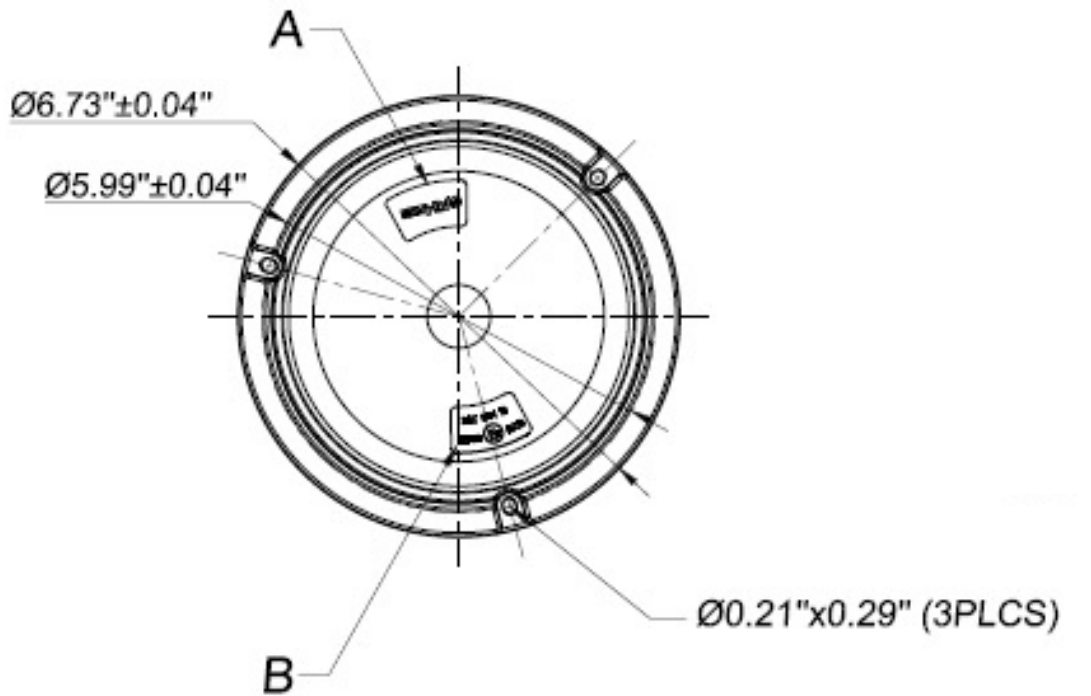


CHARLOTTE LOW PROFILE 100BC0003, 100BC0004



CHARLOTTE HIGH AND LOW PROFILE

100BC0001, 100BC0002, 100BC0003, 100BC0004



SECTION 3: FLASH PATTERN DETAIL

PATTERN	DESCRIPTION	RATE (fpm)
1**	DOUBLE	75
2**	TRIPLE	75
3**	QUAD	75
4	ROTATING	143

*** DEFAULT PATTERN**
**** SAE J845 CLASS 1 COMPLIANT**
PATTERN SETTING: A) POWER BEACON B) MOMENTARILY APPLY POWER TO BROWN CIRCUIT C) REPEAT FOR NEXT PATTERN

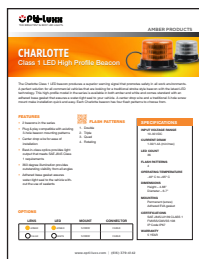
NOTES

- Lights to meet the following requirements:
 - FMVSS/CMVSS 108
 - SAE Standards: J845/2139
 - IP CODE: IP67
- Operating Conditions:
 - Voltage:
 - Automotive: 9–16Vdc.
 - Industrial: 10–30Vdc.
 - Current:
 - Nominal: 1.2A @13.8Vdc; 0.635A @28Vdc.
 - Min/Max: 1.02/1.4A ; 0.54/0.73A
 - Temperature: -40° to +65°C
- Mounting Details:
 - Screw: #10.
 - Torque: 16-18 In-lbs.
- Wire to Be: 3x0.75mm².
- Component Weight: 1.847 lbs.

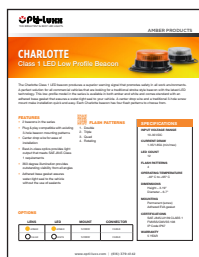
Installers and users must comply with all applicable federal, state and local laws regarding use and installation of warning devices. Improper use or installation may void warranty coverage.

If you have questions regarding this product, please refer to our website: www.opti-luxx.com/resources or you may email Customer Service at: customerservice@opti-luxx.com.

QR CODES TO BROCHURES ON WEBSITE

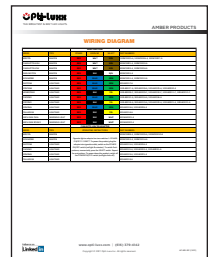


Charlotte High Profile



Charlotte Low Profile

CHARLOTTE WIRING CHART



CHARLOTTE FLASH PATTERNS ON YOUTUBE



www.opti-luxx.com
customerservice@opti-luxx.com