

RICHMOND

Class 1 High-Profile LED Beacon



The Richmond Class 1 LED beacon produces a superior warning signal that promotes safety in all work environments. Ideal for snowplows, construction equipment, utility vehicles, and work trucks, this beacon has you covered with a compact, high-profile design that is super bright, durable, and simple to install. Multiple options are available for both LED and lens color. The magnetic mount includes a cigarette lighter adapter that allows you to toggle through all 11 flash patterns quickly and easily, providing you with great flexibility on the job. Also available in a permanent mount option.

FEATURES-TBD

- 4 beacons in the series
- Small footprint
- Rugged polycarbonate construction
- Lens with UV inhibitors
- 360 degree illumination provides outstanding visibility from all angles
- SAE Class 1 certified



FLASH PATTERNS

1. Single
2. Rapid Rotating
3. Triple
4. Quad
5. Quint
6. Single + Double
7. Rotating
8. Single + Quad
9. Double + Triple
10. Strobing
11. Burn

OPTIONS

LENS	LED	MOUNT	CONNECTOR
● AMBER	● AMBER	SCREW	CABLE
○ CLEAR	● AMBER	SCREW	CABLE
● AMBER	● AMBER	MAGNET	CIGARETTE LIGHTER
○ CLEAR	● AMBER	MAGNET	CIGARETTE LIGHTER

SPECIFICATIONS

INPUT VOLTAGE RANGE
10-30 VDC

CURRENT DRAW
0.877A/2.16A (min/max)

LED COUNT
64

FLASH PATTERNS
11

OPERATING TEMPERATURE
-40° C to +65° C

DIMENSIONS
Height – 3.5"
Diameter – 4.8"

MOUNTING
Permanent (Screw)
Magnet

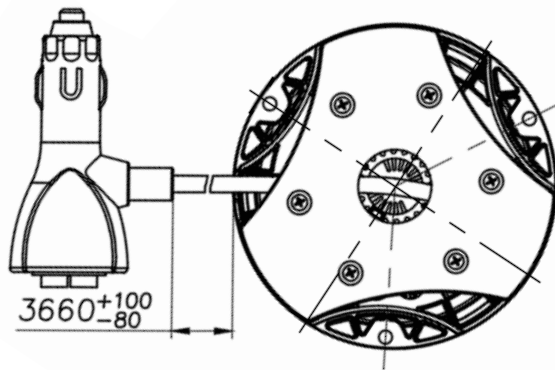
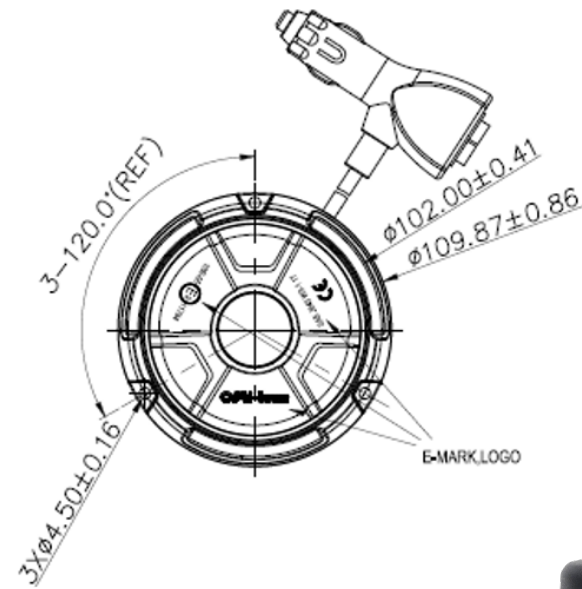
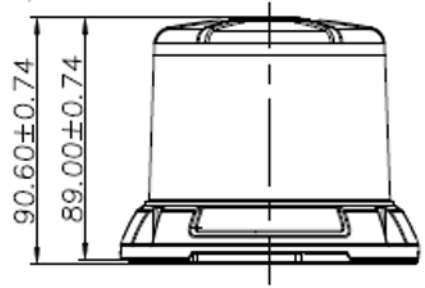
CERTIFICATIONS
SAE J845 CLASS 1 BEACON
FMVSS/CMVSS 108
IP Code IP67

WARRANTY
3 YEAR

RICHMOND BEACON INSTALLATION AND MODEL SELECTION

Measurements shown in millimeters.

PART NUMBER	MOUNT	LENS / LED	CONNECTOR
100BC0011-A	SCREW	● ● AMBER / AMBER	CABLE
100BC0012-A	SCREW	○ ● CLEAR / AMBER	CABLE
100BC0013-A	MAGNET	● ● AMBER / AMBER	CIGARETTE LIGHTER
100BC0014-A	MAGNET	○ ● CLEAR / AMBER	CIGARETTE LIGHTER



LEARN MORE

To learn more about the Richmond Series LED Beacon, please visit our website at www.opti-luxx.com or call (616) 379-4142. Also, see our amber lighting products in action by following our YouTube channel.



Follow us on YouTube to see more Opti-Luxx products in action, including available flash patterns!



www.opti-luxx.com
(616) 379-4142