

POCONO

Class 1 LED Light Bar



The Pocono Class 1 LED Light Bar is a compact-designed, low-profile light bar that produces a powerful amber warning signal. Measuring just 1.3" thick, our thinnest light bar series comes available in lengths from 19" to 49". Great for multiple applications, including tow trucks; construction, municipal, and service vehicles; and work trucks. Comes equipped with 10 flash patterns that will get you noticed and keep you safe. Includes bracket mounting hardware for an easy-to-install, permanent mount to your vehicle. When you are looking for a big light bar without the bulk, the Pocono is the perfect solution for you.

FEATURES

- 5 light bars in the series
- 5 different lengths
- Rugged polycarbonate construction
- Lens with UV inhibitors
- 360 degree illumination provides outstanding visibility from all angles
- SAE Class 1 certified



FLASH PATTERNS

1. Single Flash - Bright
2. Single Flash
3. Rapid Flash
4. Directional
5. Triple
6. Single + Double + Triple
7. Single + Quint
8. Directional + Triple
9. Alternating
10. Rapid Alternating

SPECIFICATIONS

INPUT VOLTAGE RANGE
10-30 VDC

CURRENT DRAW
2.4/3.9A (min/max)

LED COUNT
Varies depending on size

FLASH PATTERNS
10

OPERATING TEMPERATURE
-40 C to +65 C

DIMENSIONS
Length – 19"-49"
Width – 7.86"

MOUNTING
Screw

CERTIFICATIONS
SAE J845/2139 CLASS 1
FMVCC/CMVSS 108

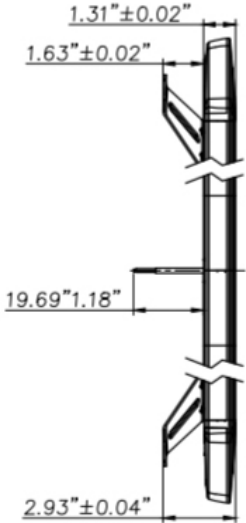
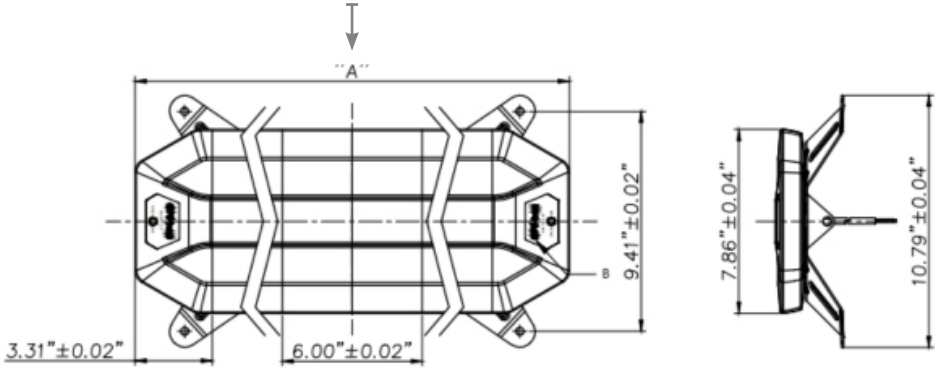
WARRANTY
3 YEAR

OPTIONS

LENS	LED	MOUNT	CONNECTOR
CLEAR	AMBER	BRACKET	CABLE

POCONO CLASS 1 LIGHT BAR INSTALLATION AND MODEL SELECTION

PART NUMBER	SIZE "A"	MOUNT	LENS / LED	CONNECTOR
100LB0018-A	19"	BRACKET	CLEAR / AMBER	CABLE
100LB0019-A	25"	BRACKET	CLEAR / AMBER	CABLE
100LB0020-A	31"	BRACKET	CLEAR / AMBER	CABLE
100LB0021-A	37"	BRACKET	CLEAR / AMBER	CABLE
100LB0022-A	49"	BRACKET	CLEAR / AMBER	CABLE



LEARN MORE

To learn more about the Pocono Class 1 LED Light Bar, please visit our website at www.opti-luxx.com or call (616) 379-4142. Also, see our amber lighting products in action by following our YouTube channel.



Follow us on YouTube to see more Opti-Luxx products in action, including available flash patterns!



www.opti-luxx.com
(616) 379-4142