

MICHIGAN

Class 1 LED Warning Light – 4" Round



The Michigan Class 1 LED Warning Light produces an attention-grabbing warning signal that is designed to meet the demands of multiple commercial vehicles, including work trucks, municipal, construction, tow, and delivery. Available in both 4" round and 6" oval options, the Michigan series produces a powerful amber warning signal and comes standard with 8 different flash patterns to choose from. This rugged LED warning light is easily connected to your vehicle with the included three pin amp connector. Get noticed and stay safe with the Michigan Series of warning lights.

FEATURES



- 4" round and 6" oval available in the series
- High output LED's with 8 flash patterns
- Includes grommet mount and connector
- SAE Class 1 certified



FLASH PATTERNS

1. Quint
2. Rapid Single
3. Double
4. Quad
5. Single
6. Single Slow
7. Single Flash
8. Rapid Double

OPTIONS

LENS	LED	MOUNT	CONNECTOR
 CLEAR	 AMBER	Grommet	Wire w/3 pin amp connector

SPECIFICATIONS

INPUT VOLTAGE RANGE
9-16VDC

CURRENT DRAW
203/317mA (min/max)

LED COUNT
18

FLASH PATTERNS
8

OPERATING TEMPERATURE
-40° C to +65° C

DIMENSIONS
Height – 1.05"
Diameter – 5.20"

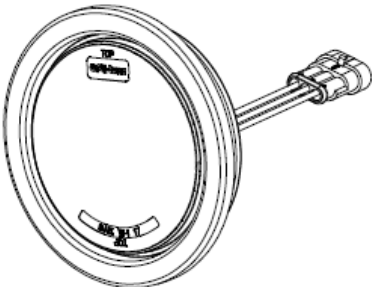
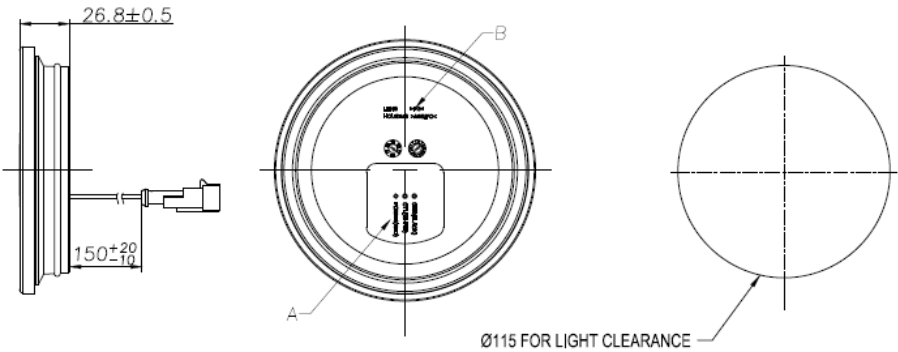
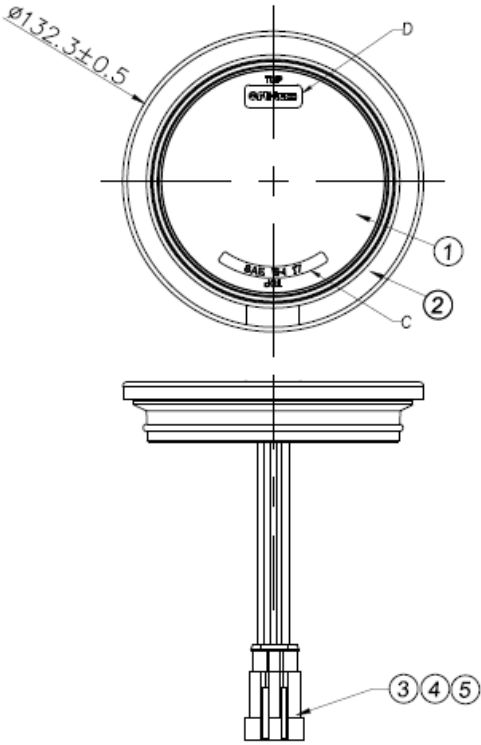
MOUNTING
Grommet

CERTIFICATIONS
SAE Standard: J595, Class 1
IP Code IP67

WARRANTY
3 YEAR

MICHIGAN CLASS 1 LED WARNING LIGHT – 4" ROUND

Measurements shown in millimeters.



ISO VIEW

PART NUMBER	MOUNT	LENS / LED	CONNECTOR
100WA0002-A	GROMMET	CLEAR / AMBER	Wire w/3 pin amp connector

LEARN MORE

To learn more about the Michigan Series LED Warning Light, please visit our website at www.opti-luxx.com or call (616) 379-4142. Also, see our amber lighting products in action by following our YouTube channel.



Follow us on YouTube to see more Opti-Luxx products in action, including available flash patterns!



www.opti-luxx.com
(616) 379-4142