

# DAYTONA

## Class 1 10" LED Light Bar



The Daytona Class 1 LED Light Bar is a compact-designed low-profile light bar that produces a powerful amber warning signal. Measuring just 10" wide, this versatile light bar packs a punch despite its small footprint. Multiple mounting options available, including a magnetic mount which includes a cigarette lighter adapter that allows you to toggle through all 20 flash patterns quickly and easily, providing you with great flexibility on the job. A perfect solution for multiple applications, including construction, municipal, service vehicles, and work trucks.

### FEATURES

- 3 light bars in the series
- Small footprint
- Rugged polycarbonate construction
- Lens with UV inhibitors
- 360 degree illumination provides outstanding visibility from all angles
- SAE Class 1 certified



### FLASH PATTERNS

1. Single
2. Double
3. Quad
4. Quint
5. Rapid Rotating
6. Combination
7. Ten Flash
8. Flash + Rapid Flash
9. Strobing + Flash
10. Rotating
11. Alternating Combo
12. Alternating
13. Double Alternating
14. Quad Alternating
15. Quint Alternating
16. Single Alternating
17. Rapid Alternating
18. Alternating + Rapid Alternating
19. Double Alternating + Rapid Alternating
20. Flash + Alternating

### SPECIFICATIONS

#### INPUT VOLTAGE RANGE

10-30 VDC

#### CURRENT DRAW

2.20/3.20A (min/max)

#### LED COUNT

40

#### FLASH PATTERNS

20

#### OPERATING TEMPERATURE

-40° C to +65° C

#### DIMENSIONS

Length – 9.88"

Width – 6.69"

#### MOUNTING

Magnet

Permanent (Screw)

Stud

#### CERTIFICATIONS







SAE J845/2139 CLASS 1

FMVSS/CMVSS 108

#### WARRANTY

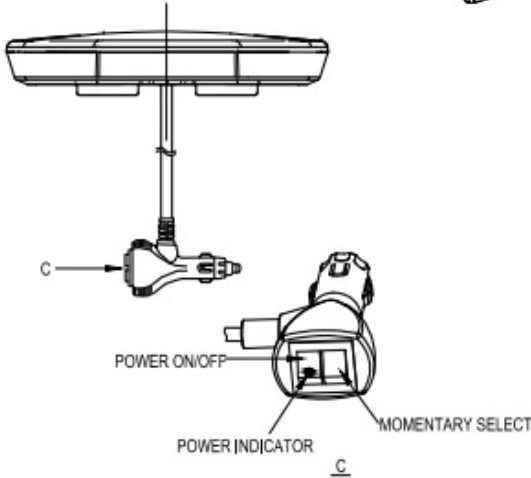
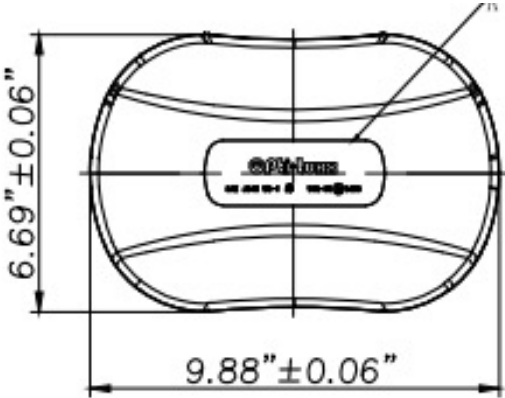
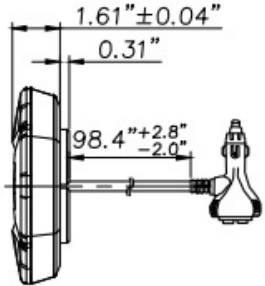
3 YEAR

### OPTIONS

LENS	LED	MOUNT	CONNECTOR
 CLEAR	 AMBER	MAGNET	CIGARETTE LIGHTER
 CLEAR	 AMBER	SCREW	CIGARETTE LIGHTER
 CLEAR	 AMBER	STUD	CABLE

**DAYTONA LED LIGHT BAR INSTALLATION AND MODEL SELECTION**

PART NUMBER	SIZE	MOUNT	LENS/ LED	CONNECTOR
100LB0015-A	10"	MAGNET	CLEAR / AMBER	CIGARETTE LIGHTER
100LB0016-A	10"	BRACKET	CLEAR / AMBER	CIGARETTE LIGHTER
100LB0017-A	10"	STUD	CLEAR / AMBER	CABLE



**LEARN MORE**

To learn more about the Daytona Class 1 LED Light Bar, please visit our website at [www.opti-luxx.com](http://www.opti-luxx.com) or call (616) 379-4142. Also, see our amber lighting products in action by following our YouTube channel.



*Follow us on YouTube to see more Opti-Luxx products in action, including available flash patterns!*



[www.opti-luxx.com](http://www.opti-luxx.com)  
(616) 379-4142